

# KATALOG PRODUKTÓW WENTYLACYJNYCH

EDYCJA | 2019





# SPIS TREŚCI

■ KANAŁY I KSZTAŁTKI OKRĄGŁE	5
■ KSZTAŁTKI OKRĄGŁE Z USZCZELKĄ	25
■ ELASTYCZNE PRZEWODY WENTYLACYJNE	43
■ KANAŁY I KSZTAŁTKI PROSTOKĄTNE	47
■ PRZEPUSTNICE	51
■ ŻALUZJE WYWIEWNE, CZERPNIĘ ŚCIENNE	59
■ CZERPNIĘ, WYRZUTNIĘ DACHOWE, PODSTAWY DACHOWE, COKOŁY	65
■ COKOŁY POD WENTYLATORY	85
■ NAWIETRZAKI PODOKIENNE	93
■ TŁUMIKI	97





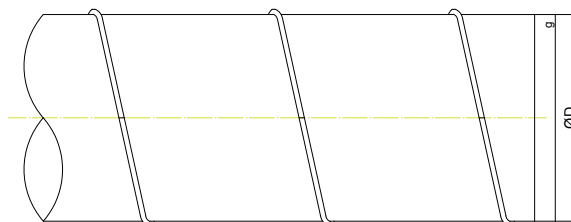
KANAŁY  
I KSZTAŁTKI  
OKRĄGŁE



Symbol	D	L
GRS 80	80	3000
GRS 100	100	3000
GRS 125	125	3000
GRS 160	160	3000
GRS 180	180	3000
GRS 200	200	3000
GRS 225	225	3000
GRS 250	250	3000
GRS 280	280	3000
GRS 315	315	3000
GRS 355	355	3000
GRS 400	400	3000
GRS 450	450	3000
GRS 500	500	3000
GRS 560	560	3000
GRS 630	630	3000
GRS 710	710	3000
GRS 800	800	3000
GRS 900	900	3000
GRS 1000	1000	3000
GRS 1120	1120	3000
GRS 1250	1250	3000

# GRS

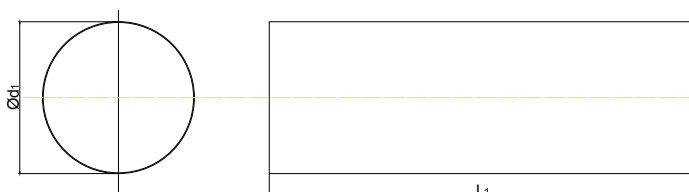
RURA SPIRO



Symbol	d <sub>1</sub>	L
GROB 100/1000	100	1000
GROB 125/1000	125	1000
GROB 160/1000	160	1000
GROB 200/1000	200	1000
GROB 250/1000	250	1000
GROB 315/1000	315	1000
GROB 355/1000	355	1000
GROB 400/1000	400	1000
GROB 450/1000	450	1000
GROB 500/1000	500	1000
GROB 560/1000	560	1000
GROB 630/1000	630	1000
GROB 710/1000	710	1000
GROB 800/1000	800	1000
GROB 900/1000	900	1000
GROB 1000/1000	1000	1000
GROB 1120/1000	1120	1000
GROB 1250/1000	1250	1000

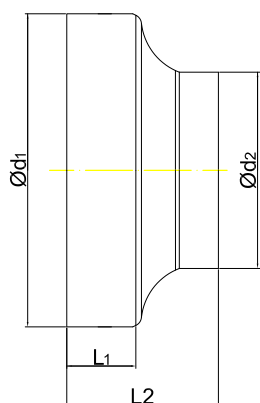
# GROB

RURA TYPU B



# GROT

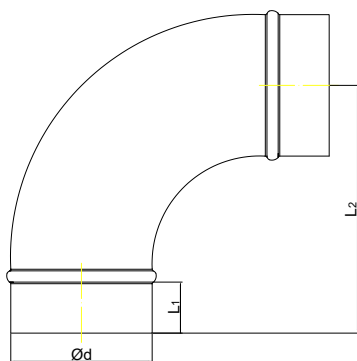
REDUKCJA TŁOCZONA



Symbol	$d_1$	$d_2$
GROT 100/80	100	80
GROT 125/100	125	100
GROT 160/100	160	100
GROT 200/100	200	100
GROT 160/125	160	125
GROT 200/125	200	125
GROT 250/125	250	125
GROT 200/160	200	160
GROT 250/160	250	160
GROT 315/160	315	160
GROT 250/200	250	200
GROT 315/200	315	200
GROT 315/250	315	250

# GKOT

KOLANO WENTYLACYJNE TŁOCZONE

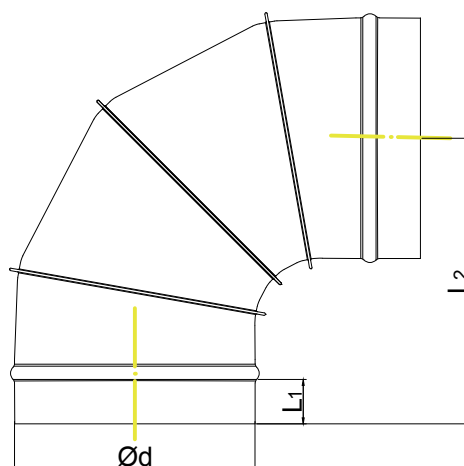


Symbol	$d$	Kąt
GKOT 100/90	100	90
GKOT 125/90	125	90
GKOT 160/90	160	90
GKOT 100/45	100	45
GKOT 125/45	125	45
GKOT 160/45	160	45

Symbol	d	Kąt
GKOS 125/90	125	90
GKOS 160/90	160	90
GKOS 200/90	200	90
GKOS 250/90	250	90
GKOS 315/90	315	90
GKOS 355/90	355	90
GKOS 400/90	400	90
GKOS 450/90	450	90
GKOS 500/90	500	90
GKOS 560/90	560	90
GKOS 630/90	630	90
GKOS 710/90	710	90
GKOS 800/90	800	90
GKOS 900/90	900	90
GKOS 1000/90	1000	90
GKOS 160/60	160	60
GKOS 200/60	200	60
GKOS 250/60	250	60
GKOS 315/60	315	60
GKOS 355/60	355	60
GKOS 400/60	400	60
GKOS 450/60	450	60
GKOS 500/60	500	60
GKOS 560/60	560	60
GKOS 630/60	630	60
GKOS 710/60	710	60
GKOS 800/60	800	60
GKOS 900/60	900	60
GKOS 1000/60	1000	60
GKOS 160/45	160	45
GKOS 200/45	200	45
GKOS 250/45	250	45
GKOS 315/45	315	45
GKOS 355/45	355	45
GKOS 400/45	400	45
GKOS 450/45	450	45
GKOS 500/45	500	45
GKOS 560/45	560	45
GKOS 630/45	630	45
GKOS 710/45	710	45
GKOS 800/45	800	45
GKOS 900/45	900	45
GKOS 1000/45	1000	45
GKOS 160/30	160	30
GKOS 200/30	200	30
GKOS 250/30	250	30
GKOS 315/30	315	30
GKOS 355/30	355	30
GKOS 400/30	400	30
GKOS 450/30	450	30
GKOS 500/30	500	30
GKOS 560/30	560	30
GKOS 630/30	630	30
GKOS 710/30	710	30
GKOS 800/30	800	30
GKOS 900/30	900	30
GKOS 1000/30	1000	30

# GKOS

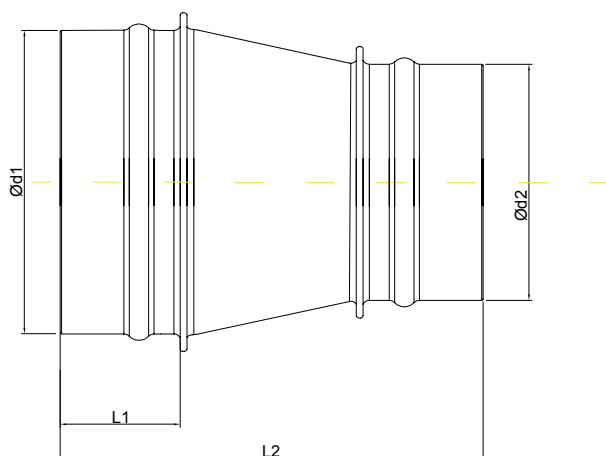
KOLANO WENTYLACYJNE SEGMENTOWE





# GROS

REDUKCJA SEGMENTOWA

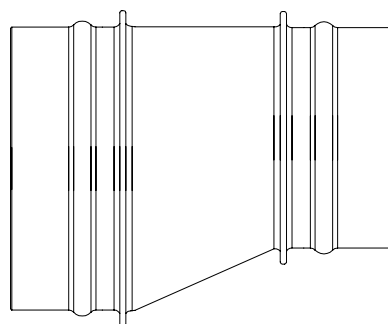
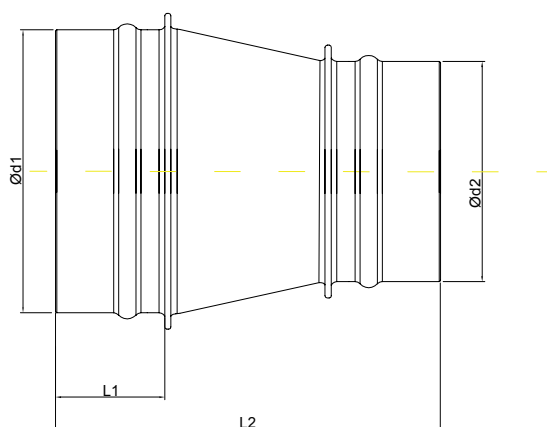


Symbol	$d_1$	$d_2$
GROS 100/80	100	80
GROS 125/80	125	80
GROS 125/100	125	100
GROS 160/100	160	100
GROS 160/125	160	125
GROS 200/100	200	100
GROS 200/125	200	125
GROS 200/160	200	160
GROS 250/125	250	125
GROS 250/160	250	160
GROS 250/200	250	200
GROS 315/160	315	160
GROS 315/200	315	200
GROS 315/250	315	250
GROS 355/160	355	160
GROS 355/200	355	200
GROS 355/250	355	250
GROS 355/315	355	315
GROS 400/160	400	160
GROS 400/200	400	200
GROS 400/250	400	250
GROS 400/315	400	315
GROS 400/355	400	355
GROS 450/200	450	200
GROS 450/250	450	250
GROS 450/315	450	315
GROS 450/355	450	355
GROS 450/400	450	400
GROS 500/200	500	200
GROS 500/250	500	250
GROS 500/315	500	315
GROS 500/355	500	355
GROS 500/400	500	400
GROS 560/315	560	315
GROS 560/355	560	355
GROS 560/400	560	400
GROS 560/450	560	450
GROS 560/500	560	500
GROS 630/355	630	355
GROS 630/400	630	400
GROS 630/450	630	450
GROS 630/500	630	500
GROS 630/560	630	560
GROS 710/400	710	400
GROS 710/450	710	450
GROS 710/500	710	500
GROS 710/560	710	560
GROS 710/630	710	630
GROS 800/450	800	450
GROS 800/500	800	500
GROS 800/560	800	560
GROS 800/630	800	630
GROS 800/710	800	710
GROS 900/500	900	500
GROS 900/560	900	560
GROS 900/630	900	630
GROS 900/710	900	710
GROS 900/800	900	800

Symbol	d <sub>1</sub>	d <sub>2</sub>
GROA 100/80	100	80
GROA 125/80	125	80
GROA 125/100	125	100
GROA 160/100	160	100
GROA 160/125	160	125
GROA 200/100	200	100
GROA 200/125	200	125
GROA 200/160	200	160
GROA 250/125	250	125
GROA 250/160	250	160
GROA 250/200	250	200
GROA 315/160	315	160
GROA 315/200	315	200
GROA 315/250	315	250
GROA 355/160	355	160
GROA 355/200	355	200
GROA 355/250	355	250
GROA 355/315	355	315
GROA 400/160	400	160
GROA 400/200	400	200
GROA 400/250	400	250
GROA 400/315	400	315
GROA 400/355	400	355
GROA 450/200	450	200
GROA 450/250	450	250
GROA 450/315	450	315
GROA 450/355	450	355
GROA 450/400	450	400
GROA 500/200	500	200
GROA 500/250	500	250
GROA 500/315	500	315
GROA 500/355	500	355
GROA 500/400	500	400
GROA 560/315	560	315
GROA 560/355	560	355
GROA 560/400	560	400
GROA 560/450	560	450
GROA 560/500	560	500
GROA 630/355	630	355
GROA 630/400	630	400
GROA 630/450	630	450
GROA 630/500	630	500
GROA 630/560	630	560
GROA 710/400	710	400
GROA 710/450	710	450
GROA 710/500	710	500
GROA 710/560	710	560
GROA 710/630	710	630
GROA 800/450	800	450
GROA 800/500	800	500
GROA 800/560	800	560
GROA 800/630	800	630
GROA 800/710	800	710
GROA 900/500	900	500
GROA 900/560	900	560
GROA 900/630	900	630
GROA 900/710	900	710
GROA 900/800	900	800

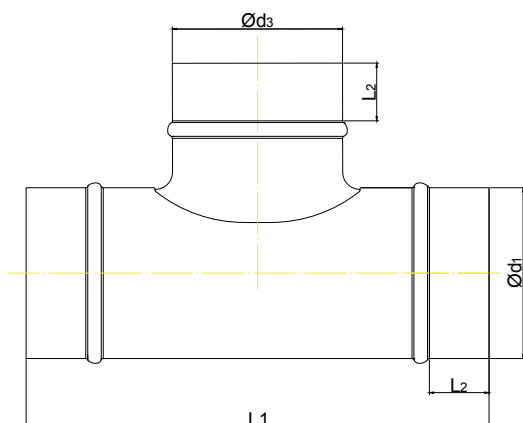
# GROA

REDUKCJA SEGMENTOWA ASYMETRYCZNA



# GTOS

TRÓJNIK SYMETRYCZNY

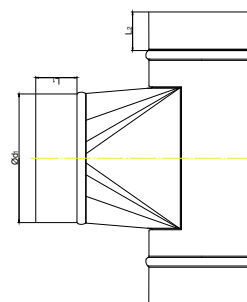


Symbol	d <sub>1</sub>	d <sub>3</sub>
GTOS 100/80	100	80
GTOS 100/100	100	100
GTOS 125/80	125	80
GTOS 125/100	125	100
GTOS 125/125	125	125
GTOS 160/100	160	100
GTOS 160/125	160	125
GTOS 160/160	160	160
GTOS 200/100	200	100
GTOS 200/125	200	125
GTOS 200/160	200	160
GTOS 200/200	200	200
GTOS 250/100	250	100
GTOS 250/125	250	125
GTOS 250/160	250	160
GTOS 250/200	250	200
GTOS 250/250	250	250
GTOS 315/125	315	125
GTOS 315/160	315	160
GTOS 315/200	315	200
GTOS 315/250	315	250
GTOS 315/315	315	315
GTOS 355/160	355	160
GTOS 355/200	355	200
GTOS 355/250	355	250
GTOS 355/315	355	315
GTOS 355/355	355	355
GTOS 400/200	400	200
GTOS 400/250	400	250
GTOS 400/315	400	315
GTOS 400/355	400	355
GTOS 400/400	400	400
GTOS 450/200	450	200
GTOS 450/250	450	250
GTOS 450/315	450	315
GTOS 450/355	450	355
GTOS 450/400	450	400
GTOS 450/450	450	450
GTOS 500/250	500	250
GTOS 500/315	500	315
GTOS 500/355	500	355
GTOS 500/400	500	400
GTOS 500/450	500	450
GTOS 500/500	500	500
GTOS 560/315	560	315
GTOS 560/355	560	355
GTOS 560/400	560	400
GTOS 560/450	560	450
GTOS 560/500	560	500
GTOS 560/560	560	560
GTOS 630/315	630	315
GTOS 630/355	630	355
GTOS 630/400	630	400
GTOS 630/450	630	450
GTOS 630/500	630	500
GTOS 630/560	630	560
GTOS 630/630	630	630
GTOS 710/315	710	315
GTOS 710/355	710	355
GTOS 710/400	710	400
GTOS 710/450	710	450
GTOS 710/500	710	500
GTOS 710/560	710	560
GTOS 710/630	710	630
GTOS 710/710	710	710
GTOS 800/400	800	400
GTOS 800/450	800	450
GTOS 800/500	800	500
GTOS 800/560	800	560
GTOS 800/630	800	630
GTOS 800/710	800	710
GTOS 800/800	800	800
GTOS 900/450	900	450
GTOS 900/500	900	500
GTOS 900/560	900	560
GTOS 900/630	900	630
GTOS 900/710	900	710
GTOS 900/800	900	800
GTOS 900/900	900	900

Symbol	d <sub>1</sub>	d <sub>2</sub>
GTOD 100/125	100	125
GTOD 100/160	100	160
GTOD 100/200	100	200
GTOD 125/160	125	160
GTOD 125/200	125	200
GTOD 125/250	125	250
GTOD 160/200	160	200
GTOD 160/250	160	250
GTOD 200/250	200	250
GTOD 200/315	200	315
GTOD 250/315	250	315
GTOD 250/355	250	355
GTOD 250/400	250	400
GTOD 315/355	315	355
GTOD 315/400	315	400
GTOD 315/450	315	450
GTOD 315/500	315	500
GTOD 355/400	355	400
GTOD 355/450	355	450
GTOD 355/500	355	500
GTOD 355/560	355	560
GTOD 400/450	400	450
GTOD 400/500	400	500
GTOD 400/560	400	560
GTOD 400/630	400	630
GTOD 450/500	450	500
GTOD 450/560	450	560
GTOD 450/630	450	630
GTOD 450/710	450	710
GTOD 500/560	500	560
GTOD 500/630	500	630
GTOD 500/710	500	710
GTOD 500/800	500	800
GTOD 560/630	560	630
GTOD 560/710	560	710
GTOD 560/800	560	800
GTOD 560/900	560	900

# GTOD

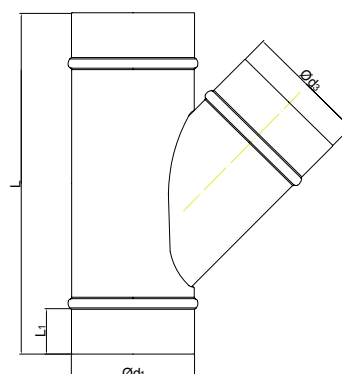
TRÓJNIK DYFUZOROWY



Symbol	d <sub>1</sub>	d <sub>3</sub>
GTO45 100/80	100	80
GTO45 100/100	100	100
GTO45 125/80	125	80
GTO45 125/100	125	100
GTO45 125/125	125	125
GTO45 160/100	160	100
GTO45 160/125	160	125
GTO45 160/160	160	160
GTO45 200/100	200	100
GTO45 200/125	200	125
GTO45 200/160	200	160
GTO45 200/200	200	200
GTO45 250/100	250	100
GTO45 250/125	250	125
GTO45 250/160	250	160
GTO45 250/200	250	200
GTO45 250/250	250	250
GTO45 315/125	315	125
GTO45 315/160	315	160
GTO45 315/200	315	200
GTO45 315/250	315	250
GTO45 315/315	315	315
GTO45 355/160	355	160
GTO45 355/200	355	200
GTO45 355/250	355	250
GTO45 355/315	355	315
GTO45 355/355	355	355
GTO45 400/200	400	200
GTO45 400/250	400	250
GTO45 400/315	400	315
GTO45 400/355	400	355
GTO45 400/400	400	400
GTO45 400/200	400	200
GTO45 400/250	400	250
GTO45 400/315	400	315
GTO45 450/355	450	355
GTO45 450/400	450	400
GTO45 450/450	450	450
GTO45 450/250	450	250
GTO45 450/315	450	315
GTO45 450/355	450	355
GTO45 500/400	500	400
GTO45 500/450	500	450
GTO45 500/500	500	500

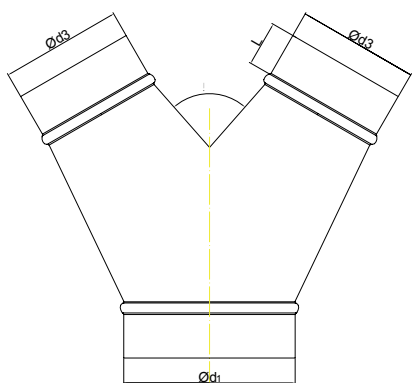
# GTO45

TRÓJNIK SKOŚNY



# GTOO

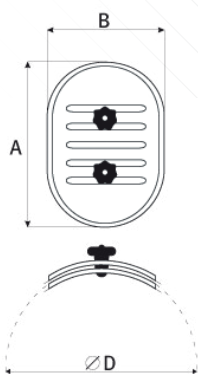
TRÓJNIK ORŁOWY



Symbol	$d_1$	$d_3$
GTOO 80/80	80	80
GTOO 100/100	100	100
GTOO 100/80	100	80
GTOO 125/100	125	100
GTOO 125/125	125	125
GTOO 125/80	125	80
GTOO 160/100	160	100
GTOO 160/125	160	125
GTOO 160/160	160	160
GTOO 200/100	200	100
GTOO 200/125	200	125
GTOO 200/160	200	160
GTOO 200/200	200	200
GTOO 250/100	250	100
GTOO 250/125	250	125
GTOO 250/160	250	160
GTOO 250/200	250	200
GTOO 250/250	250	250
GTOO 315/125	315	125
GTOO 315/160	315	160
GTOO 315/200	315	200
GTOO 315/250	315	250
GTOO 315/315	315	315
GTOO 355/160	355	160
GTOO 355/200	355	200
GTOO 355/250	355	250
GTOO 355/315	355	315
GTOO 355/355	355	355
GTOO 400/200	400	200
GTOO 400/250	400	250
GTOO 400/315	400	315
GTOO 400/355	400	355
GTOO 400/400	400	400
GTOO 450/200	450	200
GTOO 450/250	450	250
GTOO 450/315	450	315
GTOO 450/355	450	355
GTOO 450/400	450	400
GTOO 450/450	450	450
GTOO 500/250	500	250
GTOO 500/315	500	315
GTOO 500/355	500	355
GTOO 500/400	500	400
GTOO 500/450	500	450
GTOO 500/500	500	500
GTOO 560/560	560	560

# GKR

KLAPA REWIZYJNA DO RURY

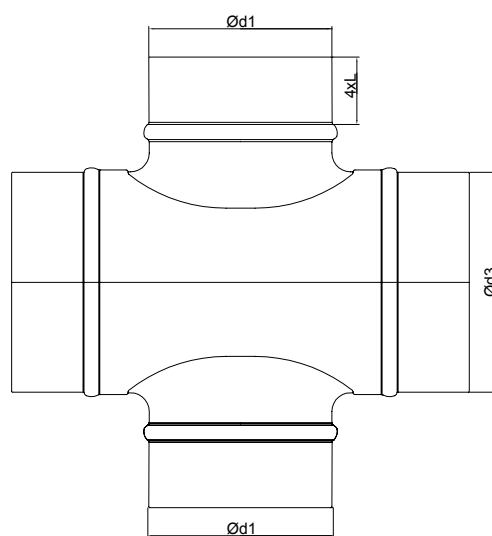


Symbol	$d_1$	a	b
GKR 100	100	180	80
GKR 160	160	250	150
GKR 200	200	250	150
GKR 250	250	250	150
GKR 350	350	250	150
GKR 400	400	250	150
GKR 315	315	250	150
GKR 500	500	300	200
GKR 560	560	400	300
GKR 630	630	400	300
GKR 710	710	400	300
GKR 800	800	400	300

Symbol	d <sub>1</sub>	d <sub>3</sub>
GXOS 100/80	100	80
GXOS 100/100	100	100
GXOS 125/80	125	80
GXOS 125/100	125	100
GXOS 125/125	125	125
GXOS 160/100	160	100
GXOS 160/125	160	125
GXOS 160/160	160	160
GXOS 200/100	200	100
GXOS 200/125	200	125
GXOS 200/160	200	160
GXOS 200/200	200	200
GXOS 250/100	250	100
GXOS 250/125	250	125
GXOS 250/160	250	160
GXOS 250/200	250	200
GXOS 250/250	250	250
GXOS 315/125	315	125
GXOS 315/160	315	160
GXOS 315/200	315	200
GXOS 315/250	315	250
GXOS 315/315	315	315
GXOS 355/160	355	160
GXOS 355/200	355	200
GXOS 355/250	355	250
GXOS 355/315	355	315
GXOS 355/355	355	355
GXOS 400/200	400	200
GXOS 400/250	400	250
GXOS 400/315	400	315
GXOS 400/355	400	355
GXOS 400/400	400	400
GXOS 450/200	450	200
GXOS 450/250	450	250
GXOS 450/315	450	315
GXOS 450/355	450	355
GXOS 450/400	450	400
GXOS 450/450	450	450
GXOS 500/250	500	250
GXOS 500/315	500	315
GXOS 500/355	500	355
GXOS 500/400	500	400
GXOS 500/450	500	450
GXOS 500/500	500	500
GXOS 560/315	560	315
GXOS 560/355	560	355
GXOS 560/400	560	400
GXOS 560/450	560	450
GXOS 560/500	560	500
GXOS 560/560	560	560
GXOS 630/315	630	315
GXOS 630/355	630	355
GXOS 630/400	630	400
GXOS 630/450	630	450
GXOS 630/500	630	500
GXOS 630/560	630	560
GXOS 630/630	630	630

# GXOS

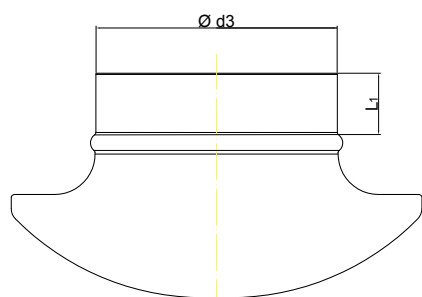
CZWÓRNIK





# GKST

SZTUCER SIODŁOWY TŁOCZONY

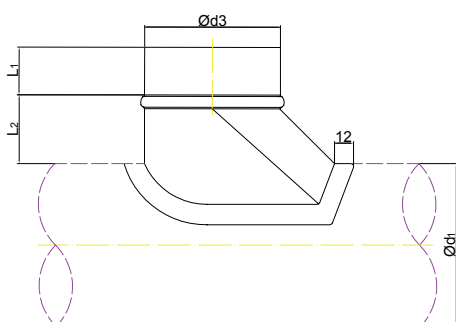


$\varnothing d_1$  - średnica rury

Symbol	d <sub>1</sub>	d <sub>3</sub>
GKST 80/80	80	80
GKST 100/80	100	80
GKST 125/80	125	80
GKST 160/80	160	80
GKST 200/80	200	80
GKST 250/80	250	80
GKST 100/100	100	100
GKST 125/100	125	100
GKST 160/100	160	100
GKST 200/100	200	100
GKST 250/100	250	100
GKST 315/100	315	100
GKST 400/100	400	100
GKST 125/125	125	125
GKST 160/125	160	125
GKST 200/125	200	125
GKST 250/125	250	125
GKST 315/125	315	125
GKST 160/160	160	160
GKST 200/160	200	160
GKST 250/160	250	160
GKST 315/160	315	160
GKST 400/160	400	160
GKST 200/200	200	200
GKST 250/200	250	200
GKST 315/200	315	200
GKST 400/200	400	200
GKST 250/250	250	250
GKST 315/250	315	250
GKST 400/250	400	250
GKST 315/315	315	315
GKST 400/315	400	315
GKST 400/400	400	400

# GBOO

SZTUCER NA RURĘ

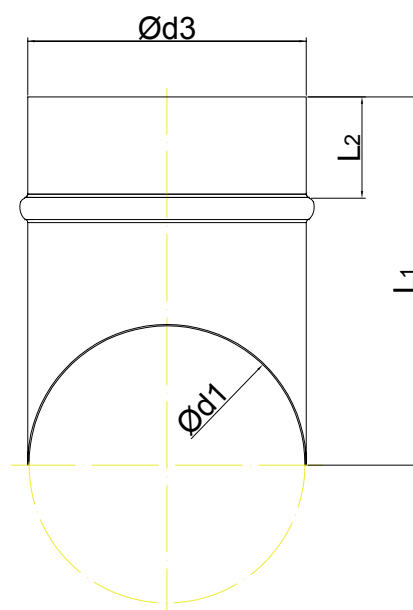


Symbol	d <sub>1</sub>	d <sub>3</sub>
GBOO 100/100	100	100
GBOO 125/100	125	100
GBOO 125/125	125	125
GBOO 160/100	160	100
GBOO 160/125	160	125
GBOO 160/160	160	160
GBOO 200/100	200	100
GBOO 200/125	200	125
GBOO 200/160	200	160
GBOO 200/200	200	200
GBOO 250/125	250	125
GBOO 250/160	250	160
GBOO 250/200	250	200
GBOO 250/250	250	250
GBOO 315/160	315	160
GBOO 315/200	315	200
GBOO 315/250	315	250
GBOO 315/315	315	315
GBOO 400/160	400	160
GBOO 400/200	400	200
GBOO 400/250	400	250
GBOO 400/315	400	315

Symbol	d1	d3
GKSS 450/125	450	125
GKSS 450/160	450	160
GKSS 450/200	450	200
GKSS 450/250	450	250
GKSS 450/315	450	315
GKSS 450/355	450	355
GKSS 450/400	450	400
GKSS 450/450	450	450
GKSS 500/125	500	125
GKSS 500/160	500	160
GKSS 500/200	500	200
GKSS 500/250	500	250
GKSS 500/315	500	315
GKSS 500/355	500	355
GKSS 500/400	500	400
GKSS 500/450	500	450
GKSS 500/500	500	500
GKSS 630/630	630	630

# GKSS

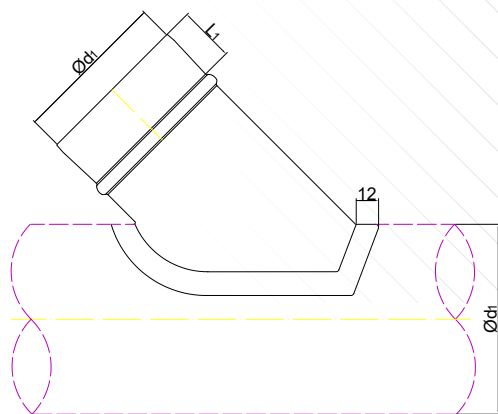
SZTUCER SIODŁOWY





# GSOO

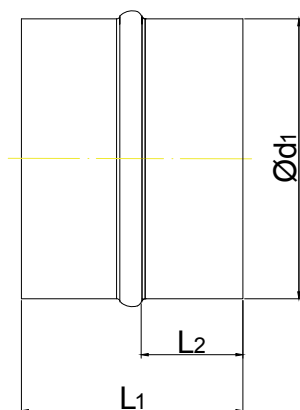
SZTUCER NA RURĘ POD KĄTEM 45°



Symbol	d <sub>1</sub>	d <sub>3</sub>
GSOO 125/200	125	200
GSOO 125/250	125	250
GSOO 125/315	125	315
GSOO 125/400	125	400
GSOO 125/560	125	560
GSOO 160/200	160	200
GSOO 160/250	160	250
GSOO 160/315	160	315
GSOO 160/400	160	400
GSOO 160/560	160	560
GSOO 200/315	200	315
GSOO 200/400	200	400
GSOO 200/500	200	500
GSOO 200/630	200	630
GSOO 200/800	200	800
GSOO 400/630	400	630
GSOO 400/710	400	710
GSOO 400/800	400	800
GSOO 500/800	500	800
GSOO 560/630	560	630
GSOO 560/800	560	800

# GZOW

ZŁĄCZKA DO RUR

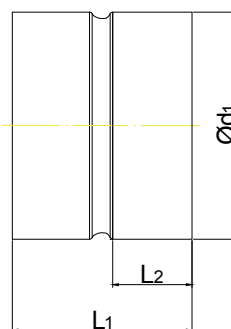


Symbol	d <sub>1</sub>
GZOW 100	100
GZOW 125	125
GZOW 160	160
GZOW 200	200
GZOW 250	250
GZOW 315	315
GZOW 355	355
GZOW 400	400
GZOW 450	450
GZOW 500	500
GZOW 560	560
GZOW 630	630
GZOW 710	710
GZOW 800	800
GZOW 900	900
GZOW 1000	1000
GZOW 1120	1120
GZOW 1250	1250

Symbol	d <sub>1</sub>
GZOZ 100	100
GZOZ 125	125
GZOZ 160	160
GZOZ 200	200
GZOZ 250	250
GZOZ 315	315
GZOZ 355	355
GZOZ 400	400
GZOZ 450	450
GZOZ 500	500
GZOZ 560	560
GZOZ 630	630
GZOZ 710	710
GZOZ 800	800
GZOZ 900	900
GZOZ 1000	1000
GZOZ 1120	1120
GZOZ 1250	1250

# GZOZ

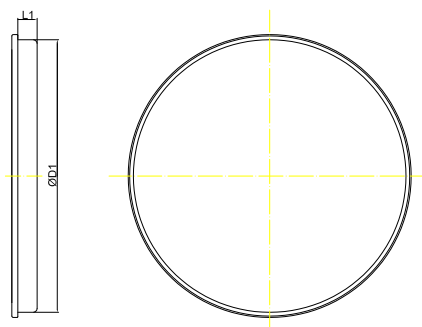
ZŁĄCZKA DO KSZTAŁTEK



Symbol	d <sub>1</sub>
GZOR 80	80
GZOR 100	100
GZOR 125	125
GZOR 160	160
GZOR 200	200
GZOR 250	250
GZOR 315	315
GZOR 355	355
GZOR 400	400
GZOR 450	450
GZOR 500	500
GZOR 560	560
GZOR 630	630

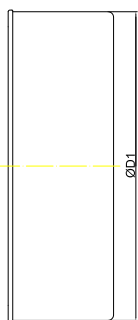
# GZOR

ZAŚLEPKA DO RUR



# GZOK

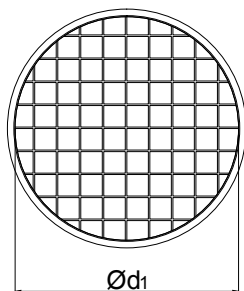
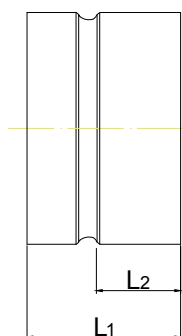
ZAŚLEPKA DO KSZTAŁTEK



Symbol	D1
GZOK 80	80
GZOK 100	100
GZOK 125	125
GZOK 160	160
GZOK 200	200
GZOK 250	250
GZOK 315	315
GZOK 355	355
GZOK 400	400
GZOK 450	450
GZOK 500	500
GZOK 560	560
GZOK 630	630

# GKOR

ZAŚLEPKA DO RUR Z SIATKĄ

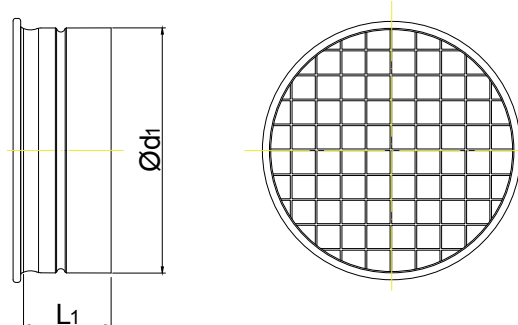


Symbol	d <sub>1</sub>
GKOR 100	100
GKOR 125	125
GKOR 160	160
GKOR 200	200
GKOR 250	250
GKOR 315	315
GKOR 355	355
GKOR 400	400
GKOR 450	450
GKOR 500	500
GKOR 560	560
GKOR 630	630
GKOR 710	710
GKOR 800	800
GKOR 900	900
GKOR 1000	1000
GKOR 1120	1120
GKOR 1250	1250

Symbol	d <sub>1</sub>
GKOK 100	100
GKOK 125	125
GKOK 160	160
GKOK 200	200
GKOK 250	250
GKOK 315	315
GKOK 355	355
GKOK 400	400
GKOK 450	450
GKOK 500	500
GKOK 560	560
GKOK 630	630
GKOK 710	710
GKOK 800	800
GKOK 900	900
GKOK 1000	1000
GKOK 1120	1120
GKOK 1250	1250

# GKOK

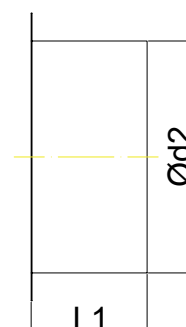
ZAŚLEPKA DO KSZTAŁTEK Z SIATKĄ



Symbol	d <sub>2</sub>
GKOP 100	100
GKOP 125	125
GKOP 160	160
GKOP 200	200
GKOP 250	250
GKOP 315	315
GKOP 355	355
GKOP 400	400
GKOP 450	450
GKOP 500	500
GKOP 560	560
GKOP 630	630
GKOP 710	710
GKOP 800	800
GKOP 900	900
GKOP 1000	1000
GKOP 1120	1120
GKOP 1250	1250

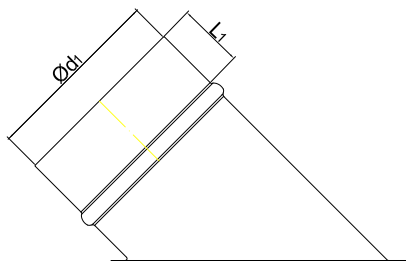
# GKOP

KRÓCIEC OKRĄGŁY



# GSOP

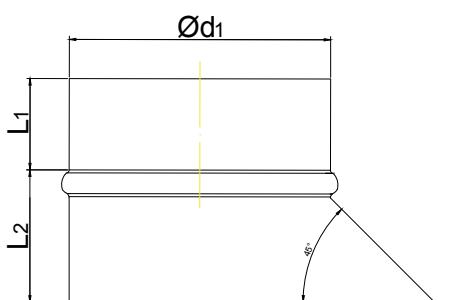
KRÓCIEC CYLINDRYCZNY POD KĄTEM 45°



Symbol	$d_1$
GSOP 100	100
GSOP 125	125
GSOP 160	160
GSOP 200	200
GSOP 250	250
GSOP 315	315
GSOP 400	400
GSOP 500	500

# GBOP

KRÓCIEC CYLINDRYCZNY

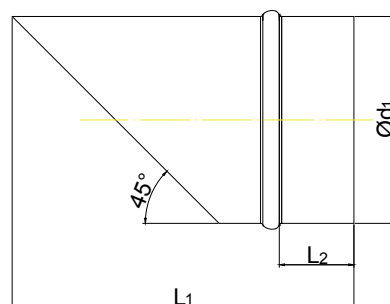


Symbol	$d_1$
GBOP 100	100
GBOP 125	125
GBOP 160	160
GBOP 200	200
GBOP 250	250
GBOP 315	315
GBOP 400	400
GBOP 500	500

Symbol	d <sub>1</sub>
GKO45 100	100
GKO45 125	125
GKO45 160	160
GKO45 200	200
GKO45 250	250
GKO45 315	315
GKO45 355	355
GKO45 400	400
GKO45 450	450
GKO45 500	500
GKO45 560	560
GKO45 630	630

# GKO45

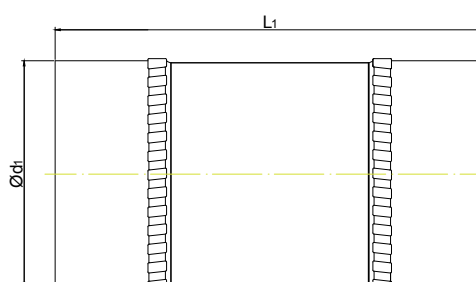
KRÓCIEC OKRĄGŁY Z SIATKĄ



Symbol	d <sub>1</sub>
GKEO 100	100
GKEO 125	125
GKEO 160	160
GKEO 200	200
GKEO 250	250
GKEO 315	315
GKEO 400	400
GKEO 500	500
GKEO 630	630

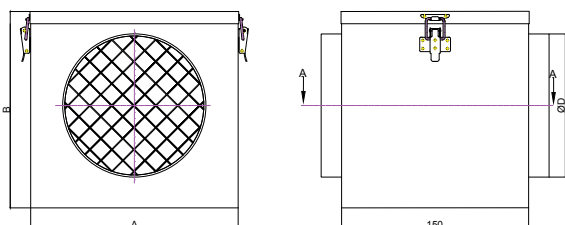
# GKEO

KRÓCIEC ELASTYCZNY



# GDF

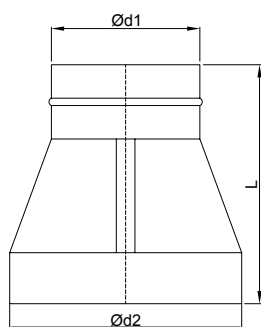
FILTR KANAŁOWY DO INSTALACJI



Symbol	D
GDF 100	100
GDF 125	125
GDF 160	160
GDF 200	200
GDF 250	250
GDF 315	315
GDF 400	400
GDF 500	500

# GTAO

TACA OCIEKOWA



Symbol	d <sub>1</sub>	d <sub>2</sub>
GTAO 100	100	180
GTAO 125	125	200
GTAO 160	160	240
GTAO 200	200	280
GTAO 250	250	330
GTAO 315	315	400
GTAO 355	355	450
GTAO 400	400	500
GTAO 450	450	550
GTAO 500	500	600





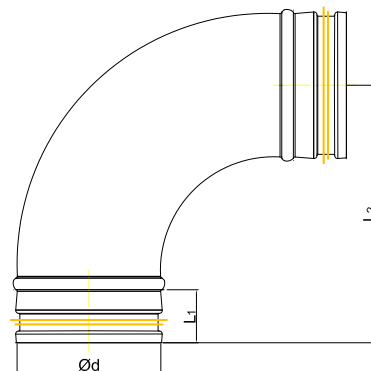
KSZTAŁTKI  
OKRĄGŁE  
Z USZCZELKĄ



Symbol	d	Promień
GKOTU 100/90	100	90
GKOTU 125/90	125	90
GKOTU 160/90	160	90
GKOTU 100/45	100	45
GKOTU 125/45	125	45
GKOTU 160/45	160	45

# GKOTU

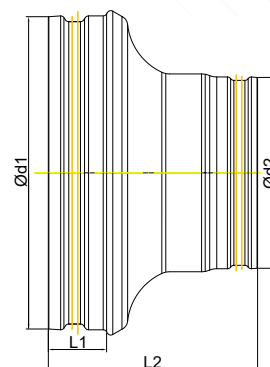
KOLANO WENTYLACYJNE  
TŁOCZONE Z USZCZELKĄ



Symbol	d <sub>1</sub>	d <sub>2</sub>
GROTU 100/80	100	80
GROTU 125/100	125	100
GROTU 160/100	160	100
GROTU 200/100	200	100
GROTU 160/125	160	125
GROTU 200/125	200	125
GROTU 250/125	250	125
GROTU 200/160	200	160
GROTU 250/160	250	160
GROTU 315/160	315	160
GROTU 250/200	250	200
GROTU 315/200	315	200
GROTU 315/250	315	250

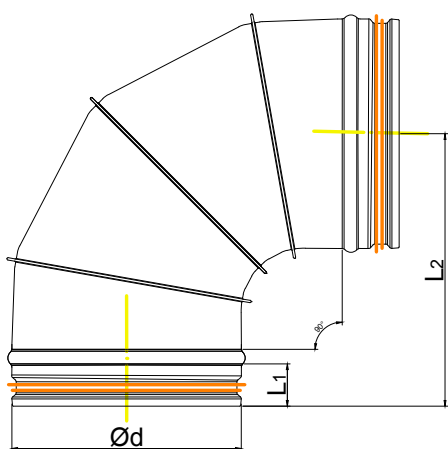
# GROTU

REDUKCJE TŁOCZONE Z USZCZELKĄ



# GKOSU

KOLANO WENTYLACYJNE  
SEGMENTOWE Z USZCZELKĄ

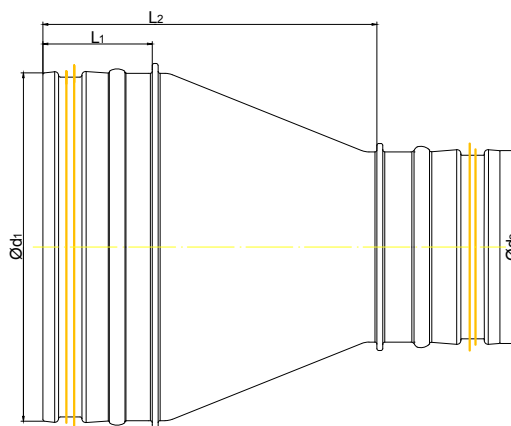


Symbol	d	Promień
GKOSU 125/90	125	90
GKOSU 160/90	160	90
GKOSU 200/90	200	90
GKOSU 250/90	250	90
GKOSU 315/90	315	90
GKOSU 355/90	355	90
GKOSU 400/90	400	90
GKOSU 450/90	450	90
GKOSU 500/90	500	90
GKOSU 560/90	560	90
GKOSU 630/90	630	90
GKOSU 160/60	160	60
GKOSU 200/60	200	60
GKOSU 250/60	250	60
GKOSU 315/60	315	60
GKOSU 355/60	355	60
GKOSU 400/60	400	60
GKOSU 450/60	450	60
GKOSU 500/60	500	60
GKOSU 560/60	560	60
GKOSU 630/60	630	60
GKOSU 160/45	160	45
GKOSU 200/45	200	45
GKOSU 250/45	250	45
GKOSU 315/45	315	45
GKOSU 355/45	355	45
GKOSU 400/45	400	45
GKOSU 450/45	450	45
GKOSU 500/45	500	45
GKOSU 560/45	560	45
GKOSU 630/45	630	45
GKOSU 160/30	160	30
GKOSU 200/30	200	30
GKOSU 250/30	250	30
GKOSU 315/30	315	30
GKOSU 355/30	355	30
GKOSU 400/30	400	30
GKOSU 450/30	450	30
GKOSU 500/30	500	30
GKOSU 560/30	560	30
GKOSU 630/30	630	30

Symbol	d <sub>1</sub>	d <sub>2</sub>
GROSU 100/80	100	80
GROSU 125/80	125	80
GROSU 125/100	125	100
GROSU 160/100	160	100
GROSU 160/125	160	125
GROSU 200/100	200	100
GROSU 200/125	200	125
GROSU 200/160	200	160
GROSU 250/125	250	125
GROSU 250/160	250	160
GROSU 250/200	250	200
GROSU 315/160	315	160
GROSU 315/200	315	200
GROSU 315/250	315	250
GROSU 355/160	355	160
GROSU 355/200	355	200
GROSU 355/250	355	250
GROSU 355/315	355	315
GROSU 400/160	400	160
GROSU 400/200	400	200
GROSU 400/250	400	250
GROSU 400/315	400	315
GROSU 400/355	400	355
GROSU 450/200	450	200
GROSU 450/250	450	250
GROSU 450/315	450	315
GROSU 450/355	450	355
GROSU 450/400	450	400
GROSU 500/200	500	200
GROSU 500/250	500	250
GROSU 500/315	500	315
GROSU 500/355	500	355
GROSU 500/400	500	400
GROSU 560/315	560	315
GROSU 560/355	560	355
GROSU 560/400	560	400
GROSU 560/450	560	450
GROSU 560/500	560	500
GROSU 630/355	630	355
GROSU 630/400	630	400
GROSU 630/450	630	450
GROSU 630/500	630	500
GROSU 630/560	630	560
GROSU 710/400	710	400
GROSU 710/450	710	450
GROSU 710/500	710	500
GROSU 710/560	710	560
GROSU 710/630	710	630

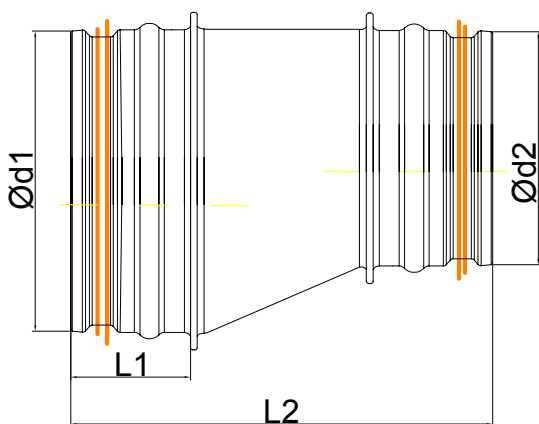
# GROSU

REDUKCJE SEGMENTOWE  
Z USZCZELKĄ



# GROAU

REDUKCJE SEGMENTOWE  
ASYMETRYCZNE Z USZCZELKĄ

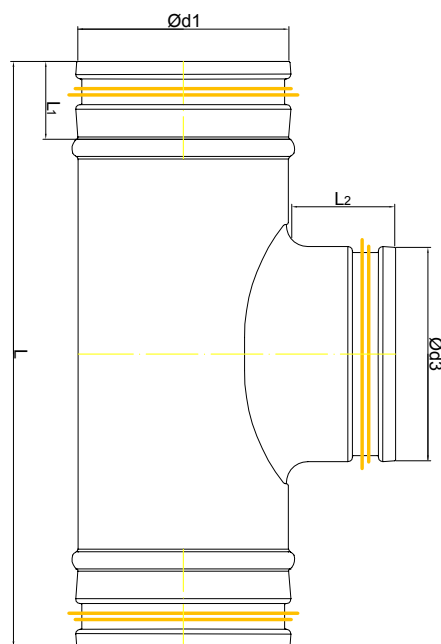


Symbol	d <sub>1</sub>	d <sub>2</sub>
GROAU 100/80	100	80
GROAU 125/80	125	80
GROAU 125/100	125	100
GROAU 160/100	160	100
GROAU 160/125	160	125
GROAU 200/100	200	100
GROAU 200/125	200	125
GROAU 200/160	200	160
GROAU 250/125	250	125
GROAU 250/160	250	160
GROAU 250/200	250	200
GROAU 315/160	315	160
GROAU 315/200	315	200
GROAU 315/250	315	250
GROAU 355/160	355	160
GROAU 355/200	355	200
GROAU 355/250	355	250
GROAU 355/315	355	315
GROAU 400/160	400	160
GROAU 400/200	400	200
GROAU 400/250	400	250
GROAU 400/315	400	315
GROAU 400/355	400	355
GROAU 450/200	450	200
GROAU 450/250	450	250
GROAU 450/315	450	315
GROAU 450/355	450	355
GROAU 450/400	450	400
GROAU 500/200	500	200
GROAU 500/250	500	250
GROAU 500/315	500	315
GROAU 500/355	500	355
GROAU 500/400	500	400
GROAU 560/315	560	315
GROAU 560/355	560	355
GROAU 560/400	560	400
GROAU 560/450	560	450
GROAU 560/500	560	500
GROAU 630/355	630	355
GROAU 630/400	630	400
GROAU 630/450	630	450
GROAU 630/500	630	500
GROAU 630/560	630	560

Symbol	d <sub>1</sub>	d <sub>3</sub>
GTOSU 100/80	100	80
GTOSU 100/100	100	100
GTOSU 125/80	125	80
GTOSU 125/100	125	100
GTOSU 125/125	125	125
GTOSU 160/100	160	100
GTOSU 160/125	160	125
GTOSU 160/160	160	160
GTOSU 200/100	200	100
GTOSU 200/125	200	125
GTOSU 200/160	200	160
GTOSU 200/200	200	200
GTOSU 250/100	250	100
GTOSU 250/125	250	125
GTOSU 250/160	250	160
GTOSU 250/200	250	200
GTOSU 250/250	250	250
GTOSU 315/125	315	125
GTOSU 315/160	315	160
GTOSU 315/200	315	200
GTOSU 315/250	315	250
GTOSU 315/315	315	315
GTOSU 355/160	355	160
GTOSU 355/200	355	200
GTOSU 355/250	355	250
GTOSU 355/315	355	315
GTOSU 355/355	355	355
GTOSU 400/200	400	200
GTOSU 400/250	400	250
GTOSU 400/315	400	315
GTOSU 400/355	400	355
GTOSU 400/400	400	400
GTOSU 450/200	450	200
GTOSU 450/250	450	250
GTOSU 450/315	450	315
GTOSU 450/355	450	355
GTOSU 450/400	450	400
GTOSU 450/450	450	450
GTOSU 500/250	500	250
GTOSU 500/315	500	315
GTOSU 500/355	500	355
GTOSU 500/400	500	400
GTOSU 500/450	500	450
GTOSU 500/500	500	500
GTOSU 560/315	560	315
GTOSU 560/355	560	355
GTOSU 560/400	560	400
GTOSU 560/450	560	450
GTOSU 560/500	560	500
GTOSU 560/560	560	560
GTOSU 630/315	630	315
GTOSU 630/355	630	355
GTOSU 630/400	630	400
GTOSU 630/450	630	450
GTOSU 630/500	630	500
GTOSU 630/560	630	560
GTOSU 630/630	630	630

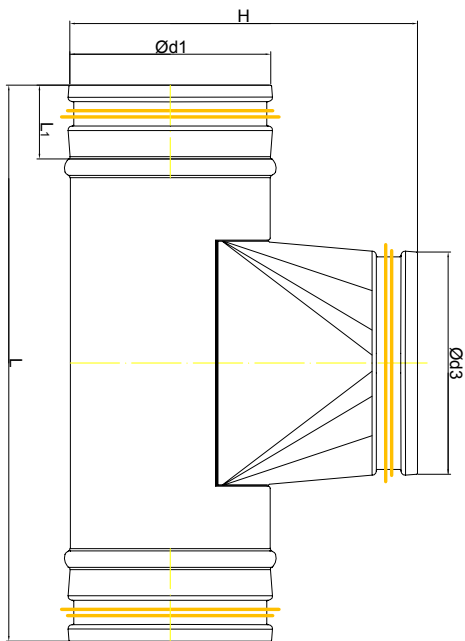
# GTOSU

TRÓJNIK SYMETRYCZNY Z USZCZELKĄ



# GTODU

TRÓJNIK DYFUZOROWY Z USZCZELKĄ



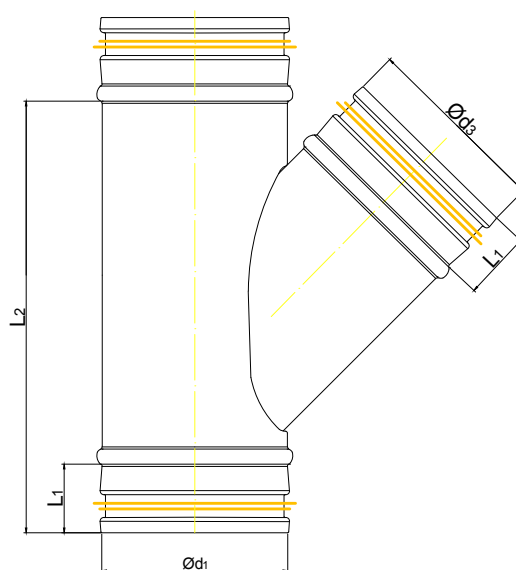
Symbol	d <sub>1</sub>	d <sub>3</sub>
GTODU 100/125	100	125
GTODU 100/160	100	160
GTODU 100/200	100	200
GTODU 125/160	125	160
GTODU 125/200	125	200
GTODU 125/250	125	250
GTODU 160/200	160	200
GTODU 160/250	160	250
GTODU 200/250	200	250
GTODU 200/315	200	315
GTODU 250/315	250	315
GTODU 250/355	250	355
GTODU 250/400	250	400
GTODU 315/355	315	355
GTODU 315/400	315	400
GTODU 315/450	315	450
GTODU 315/500	315	500
GTODU 355/400	355	400
GTODU 355/450	355	450
GTODU 355/500	355	500
GTODU 355/560	355	560
GTODU 400/450	400	450
GTODU 400/500	400	500
GTODU 400/560	400	560
GTODU 400/630	400	630
GTODU 450/500	450	500
GTODU 450/560	450	560
GTODU 450/630	450	630
GTODU 450/710	450	710
GTODU 500/560	500	560
GTODU 500/630	500	630



Symbol	d <sub>1</sub>	d <sub>3</sub>
GTOU45 100/80	100	80
GTOU45 100/100	100	100
GTOU45 125/80	125	80
GTOU45 125/100	125	100
GTOU45 125/125	125	125
GTOU45 160/100	160	100
GTOU45 160/125	160	125
GTOU45 160/160	160	160
GTOU45 200/100	200	100
GTOU45 200/125	200	125
GTOU45 200/160	200	160
GTOU45 200/200	200	200
GTOU45 250/100	250	100
GTOU45 250/125	250	125
GTOU45 250/160	250	160
GTOU45 250/200	250	200
GTOU45 250/250	250	250
GTOU45 315/125	315	125
GTOU45 315/160	315	160
GTOU45 315/200	315	200
GTOU45 315/250	315	250
GTOU45 315/315	315	315
GTOU45 355/160	355	160
GTOU45 355/200	355	200
GTOU45 355/250	355	250
GTOU45 355/315	355	315
GTOU45 355/355	355	355
GTOU45 400/200	400	200
GTOU45 400/250	400	250
GTOU45 400/315	400	315
GTOU45 400/355	400	355
GTOU45 400/400	400	400
GTOU45 400/200	400	200
GTOU45 400/250	400	250
GTOU45 400/315	400	315
GTOU45 450/355	450	355
GTOU45 450/400	450	400
GTOU45 450/450	450	450
GTOU45 450/250	450	250
GTOU45 450/315	450	315
GTOU45 450/355	450	355
GTOU45 500/400	500	400
GTOU45 500/450	500	450
GTOU45 500/500	500	500

# GTOU45

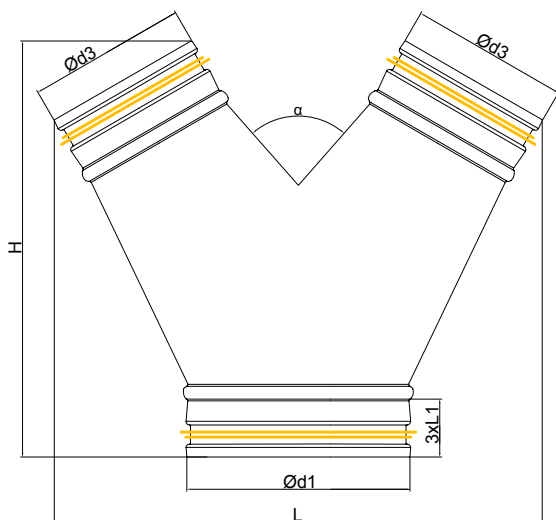
TRÓJNIK SKOŚNY Z USZCZELKĄ





# GTOOU

TRÓJNIK ORŁOWY Z USZCZELKĄ

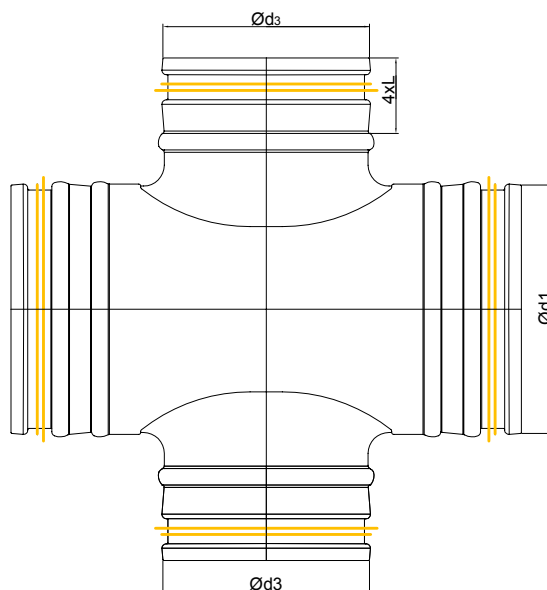


Symbol	d <sub>1</sub>	d <sub>3</sub>
GTOOU 100/80	100	80
GTOOU 125/80	125	80
GTOOU 125/100	125	100
GTOOU 160/100	160	100
GTOOU 160/125	160	125
GTOOU 200/100	200	100
GTOOU 200/125	200	125
GTOOU 200/160	200	160
GTOOU 250/100	250	100
GTOOU 250/125	250	125
GTOOU 250/160	250	160
GTOOU 250/200	250	200
GTOOU 315/125	315	125
GTOOU 315/160	315	160
GTOOU 315/200	315	200
GTOOU 315/250	315	250
GTOOU 355/160	355	160
GTOOU 355/200	355	200
GTOOU 355/250	355	250
GTOOU 355/315	355	315
GTOOU 400/200	400	200
GTOOU 400/250	400	250
GTOOU 400/315	400	315
GTOOU 400/355	400	355
GTOOU 450/200	450	200
GTOOU 450/250	450	250
GTOOU 450/315	450	315
GTOOU 450/355	450	355
GTOOU 450/400	450	400
GTOOU 500/250	500	250
GTOOU 500/315	500	315
GTOOU 500/355	500	355
GTOOU 500/400	500	400
GTOOU 500/450	500	450

Symbol	d <sub>1</sub>	d <sub>3</sub>
GXOSU 100/80	100	80
GXOSU 100/100	100	100
GXOSU 125/80	125	80
GXOSU 125/100	125	100
GXOSU 125/125	125	125
GXOSU 160/100	160	100
GXOSU 160/125	160	125
GXOSU 160/160	160	160
GXOSU 200/100	200	100
GXOSU 200/125	200	125
GXOSU 200/160	200	160
GXOSU 200/200	200	200
GXOSU 250/100	250	100
GXOSU 250/125	250	125
GXOSU 250/160	250	160
GXOSU 250/200	250	200
GXOSU 250/250	250	250
GXOSU 315/125	315	125
GXOSU 315/160	315	160
GXOSU 315/200	315	200
GXOSU 315/250	315	250
GXOSU 315/315	315	315
GXOSU 355/160	355	160
GXOSU 355/200	355	200
GXOSU 355/250	355	250
GXOSU 355/315	355	315
GXOSU 355/355	355	355
GXOSU 400/200	400	200
GXOSU 400/250	400	250
GXOSU 400/315	400	315
GXOSU 400/355	400	355
GXOSU 400/400	400	400
GXOSU 450/200	450	200
GXOSU 450/250	450	250
GXOSU 450/315	450	315
GXOSU 450/355	450	355
GXOSU 450/400	450	400
GXOSU 450/450	450	450
GXOSU 500/250	500	250
GXOSU 500/315	500	315
GXOSU 500/355	500	355
GXOSU 500/400	500	400
GXOSU 500/450	500	450
GXOSU 500/500	500	500
GXOSU 560/315	560	315
GXOSU 560/355	560	355
GXOSU 560/400	560	400
GXOSU 560/450	560	450
GXOSU 560/500	560	500
GXOSU 560/560	560	560
GXOSU 630/315	630	315
GXOSU 630/355	630	355
GXOSU 630/400	630	400
GXOSU 630/450	630	450
GXOSU 630/500	630	500
GXOSU 630/560	630	560
GXOSU 630/630	630	630

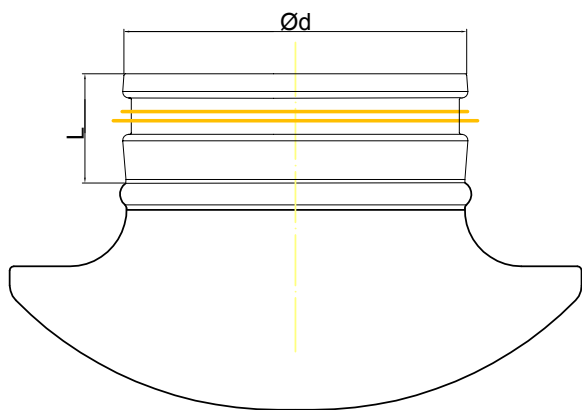
# GXOSU

CZWÓRNIK Z USZCZELKĄ



# GKSTU

SZTUCER SIODŁOWY  
TŁOCZONY Z USZCZELKĄ



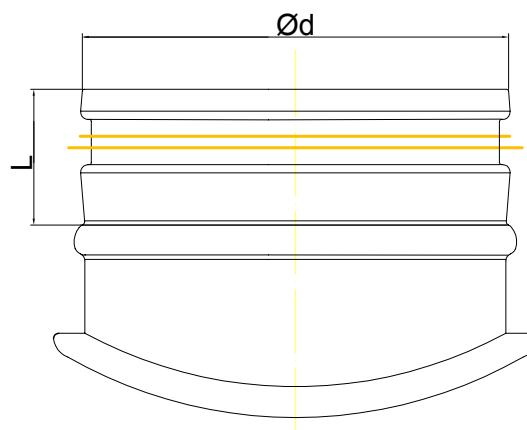
Ød1-średnica rury

Symbol	d1	d
GKSTU 80/80	80	80
GKSTU 100/80	100	80
GKSTU 125/80	125	80
GKSTU 160/80	160	80
GKSTU 200/80	200	80
GKSTU 250/80	250	80
GKSTU 100/100	100	100
GKSTU 125/100	125	100
GKSTU 160/100	160	100
GKSTU 200/100	200	100
GKSTU 250/100	250	100
GKSTU 315/100	315	100
GKSTU 400/100	400	100
GKSTU 125/125	125	125
GKSTU 160/125	160	125
GKSTU 200/125	200	125
GKSTU 250/125	250	125
GKSTU 315/125	315	125
GKSTU 160/160	160	160
GKSTU 200/160	200	160
GKSTU 250/160	250	160
GKSTU 315/160	315	160
GKSTU 400/160	400	160
GKSTU 200/200	200	200
GKSTU 250/200	250	200
GKSTU 315/200	315	200
GKSTU 400/200	400	200
GKSTU 250/250	250	250
GKSTU 315/250	315	250
GKSTU 400/250	400	250
GKSTU 315/315	315	315
GKSTU 400/315	400	315
GKSTU 400/400	400	400

Symbol	d1	d3
GKSSU 450/125	450	125
GKSSU 450/160	450	160
GKSSU 450/200	450	200
GKSSU 450/250	450	250
GKSSU 450/315	450	315
GKSSU 450/355	450	355
GKSSU 450/400	450	400
GKSSU 450/450	450	450
GKSSU 500/125	500	125
GKSSU 500/160	500	160
GKSSU 500/200	500	200
GKSSU 500/250	500	250
GKSSU 500/315	500	315
GKSSU 500/355	500	355
GKSSU 500/400	500	400
GKSSU 500/450	500	450
GKSSU 500/500	500	500
GKSSU 630/630	630	630

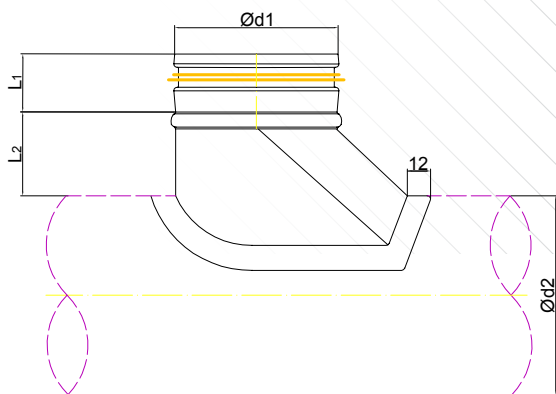
# GKSSU

SZTUCER SIODŁOWY Z USZCZELKĄ



# GBOOU

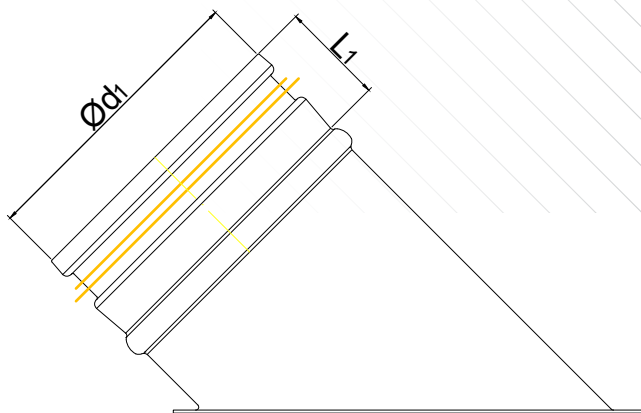
SZTUCER NA RURE Z USZCZELKĄ



Symbol	d <sub>1</sub>	d <sub>2</sub>
GBOOU 100/100	100	100
GBOOU 125/100	125	100
GBOOU 125/125	125	125
GBOOU 160/100	160	100
GBOOU 160/125	160	125
GBOOU 160/160	160	160
GBOOU 200/100	200	100
GBOOU 200/125	200	125
GBOOU 200/160	200	160
GBOOU 200/200	200	200
GBOOU 250/125	250	125
GBOOU 250/160	250	160
GBOOU 250/200	250	200
GBOOU 250/250	250	250
GBOOU 315/160	315	160
GBOOU 315/200	315	200
GBOOU 315/250	315	250
GBOOU 315/315	315	315
GBOOU 400/160	400	160
GBOOU 400/200	400	200
GBOOU 400/250	400	250
GBOOU 400/315	400	315

# GSOOU

SZTUCER NA RURĘ  
POD KĄTEM 45° Z USZCZELKĄ

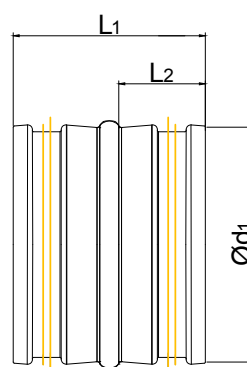


Symbol	d <sub>1</sub>	d <sub>3</sub>
GSOOU 125/200	125	200
GSOOU 125/250	125	250
GSOOU 125/315	125	315
GSOOU 125/400	125	400
GSOOU 125/560	125	560
GSOOU 160/200	160	200
GSOOU 160/250	160	250
GSOOU 160/315	160	315
GSOOU 160/400	160	400
GSOOU 160/560	160	560
GSOOU 200/315	200	315
GSOOU 200/400	200	400
GSOOU 200/500	200	500
GSOOU 200/630	200	630
GSOOU 200/800	200	800
GSOOU 400/630	400	630
GSOOU 400/710	400	710
GSOOU 400/800	400	800
GSOOU 500/800	500	800
GSOOU 560/630	560	630
GSOOU 560/800	560	800

Symbol	d <sub>1</sub>
GZOWU 100	100
GZOWU 125	125
GZOWU 160	160
GZOWU 200	200
GZOWU 250	250
GZOWU 315	315
GZOWU 355	355
GZOWU 400	400
GZOWU 450	450
GZOWU 500	500
GZOWU 560	560
GZOWU 630	630

# GZOWU

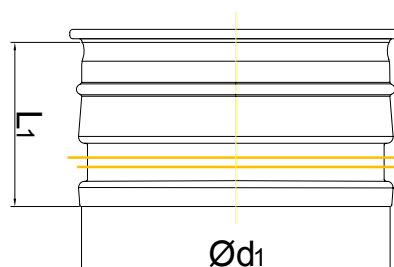
ZŁĄCZKA DO RUR Z USZCZELKĄ



Symbol	d <sub>1</sub>
GZORU 100	100
GZORU 125	125
GZORU 160	160
GZORU 200	200
GZORU 250	250
GZORU 315	315
GZORU 355	355
GZORU 400	400
GZORU 450	450
GZORU 500	500
GZORU 560	560
GZORU 630	630

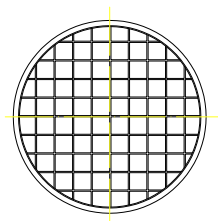
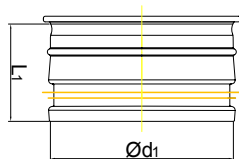
# GZORU

ZAŚLEPKA DO RUR Z USZCZELKĄ



# GKORU

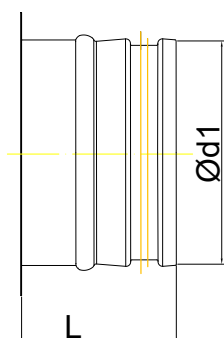
KRÓCIEC DO RUR Z SIATKĄ I USZCZELKĄ



Symbol	d <sub>1</sub>
GKORU 100	100
GKORU 125	125
GKORU 160	160
GKORU 200	200
GKORU 250	250
GKORU 315	315
GKORU 355	355
GKORU 400	400
GKORU 450	450
GKORU 500	500
GKORU 560	560
GKORU 630	630
GKORU 710	710
GKORU 800	800

# GKOPU

KRÓCIEC OKRĄGŁY Z USZCZELKĄ

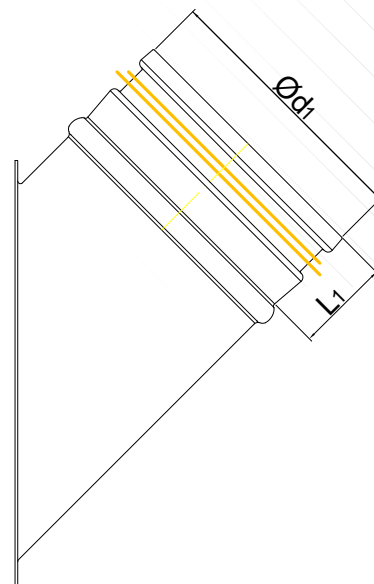


Symbol	d <sub>1</sub>
GKOPU 100	100
GKOPU 125	125
GKOPU 160	160
GKOPU 200	200
GKOPU 250	250
GKOPU 315	315
GKOPU 355	355
GKOPU 400	400
GKOPU 450	450
GKOPU 500	500
GKOPU 560	560
GKOPU 630	630

Symbol	$d_1$
GSOPU 100	100
GSOPU 125	125
GSOPU 160	160
GSOPU 200	200
GSOPU 250	250
GSOPU 315	315
GSOPU 400	400
GSOPU 500	500

# GSOPU

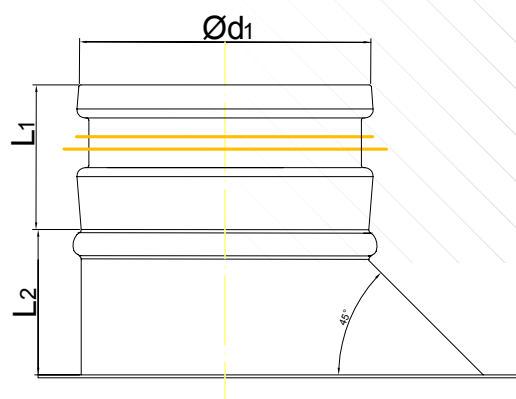
SZTUCER CYLINDRYCZNY  
POD KĄTEM 45° Z USZCZELKĄ



Symbol	$d_1$
GBOPU 100	100
GBOPU 125	125
GBOPU 160	160
GBOPU 200	200
GBOPU 250	250
GBOPU 315	315
GBOPU 400	400
GBOPU 500	500

# GBOPU

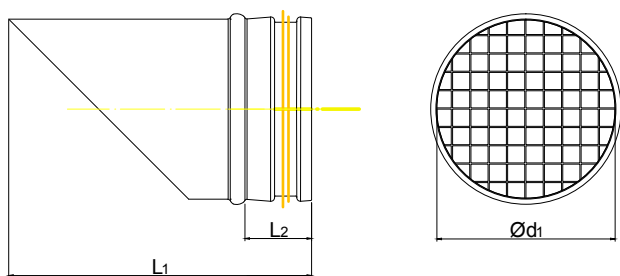
KRÓCIEC CYLINDRYCZNY Z USZCZELKĄ





# GKO45U

KRÓCIEC OKRĄGŁY  
Z USZCZELKĄ I SIATKĄ



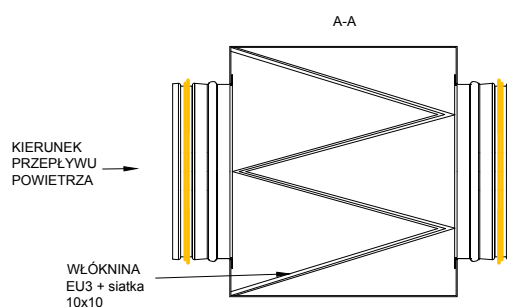
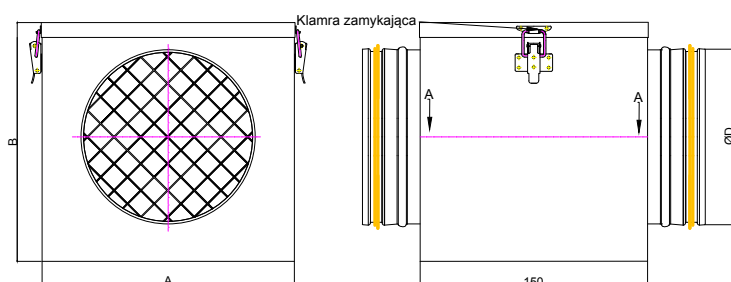
Symbol	d <sub>1</sub>
GKO45U 100	100
GKO45U 125	125
GKO45U 160	160
GKO45U 200	200
GKO45U 250	250
GKO45U 315	315
GKO45U 355	355
GKO45U 400	400
GKO45U 450	450
GKO45U 500	500
GKO45U 560	560
GKO45U 630	630

# GDFU

FILTR KANAŁOWY  
DO INSTALACJI Z USZCZELKĄ



Symbol	D
GDFU 100	100
GDFU 125	125
GDFU 160	160
GDFU 200	200
GDFU 250	250
GDFU 315	315
GDFU 400	400
GDFU 500	500





ELASTYCZNE  
PRZEWODY  
WENTYLACYJNE



Symbol	L	D
FLEX 80	3m	80
FLEX 100	3m	100
FLEX 120	3m	120
FLEX 125	3m	125
FLEX 130	3m	130
FLEX 150	3m	150
FLEX 160	3m	160
FLEX 180	3m	180
FLEX 200	3m	200
FLEX 250	3m	250
FLEX 315	3m	315
FLEX 400	3m	400

# FLEX

DŁUGOŚĆ SKOMPRESOWANEGO PRZEWODU  
WYNOŚI 0,8 M



#### KONSTRUKCJA:

FLEX jest produktem stosowanym w budowie instalacji wentylacyjnych i klimatyzacyjnych. Jego duża odporność mechaniczna sprawia, że świetnie się sprawdza również w instalacjach obiektów przemysłowych. Doskonałe parametry techniczne, wysoka elastyczność oraz specjalna konstrukcja ułatwiają prowadzenie ciągów kanałowych bez konieczności używania specjalnych narzędzi oraz kształtek.

Symbol	L	D
AF-012 82	10 m	82
AF-012 102	10 m	102
AF-012 127	10 m	127
AF-012 152	10 m	152
AF-012 163	10 m	163
AF-012 178	10 m	178
AF-012 203	10 m	203
AF-012 229	10 m	229
AF-012 254	10 m	254
AF-012 277	10 m	277
AF-012 305	10 m	305
AF-012 315	10 m	315
AF-012 356	10 m	356
AF-012 406	10 m	406
AF-012 458	10 m	458
AF-012 508	10 m	508
AF-012 558	10 m	558
AF-012 630	10 m	630

# AI.AF.012

STANDARDOWE 10 METROWE PRZEWODY,  
ŚCIŚNIĘTE W OPAKOWANIA KARTONOWE  
DŁUGOŚCI 0,5 M



#### KONSTRUKCJA:

Trójwarstwowy laminat aluminium z poliestrem. Bardzo odporny na uszkodzenia mechaniczne. Przewód jest wzmocniony spiralą z drutu stalowego o skoku 24 mm.

# Al.AF.013

STANDARDOWE 10 METROWEJ DŁUGOŚCI  
PRZEWODY, ŚCIŚNIĘTE W OPAKOWANIA  
KARTONOWE DŁUGOŚCI 1 M



## KONSTRUKCJA:

Warstwę wewnętrzną przewodu AF013 stanowi nieznacznie perforowany przewód AF012. Powłoką izolacyjną jest wełna mineralna, natomiast osłonę zewnętrzną stanowi trójwarstwowa powłoka z laminowanego aluminium wzmocniona włóknem szklanym. Przewód AF013 zawiera dodatkowo między przewodem wewnętrznym a izolacją warstwę paroszczelną z folii poliestrowej.

Symbol	L	D
AF-013 82	10 m	82
AF-013 102	10 m	102
AF-013 127	10 m	127
AF-013 152	10 m	152
AF-013 163	10 m	163
AF-013 178	10 m	178
AF-013 203	10 m	203
AF-013 229	10 m	229
AF-013 254	10 m	254
AF-013 277	10 m	277
AF-013 305	10 m	305
AF-013 315	10 m	315
AF-013 356	10 m	356
AF-013 406	10 m	406
AF-013 458	10 m	458
AF-013 508	10 m	508
AF-013 558	10 m	558

# Al.AF.019

STANDARDOWE 10 METROWEJ DŁUGOŚCI  
PRZEWODY, ŚCIŚNIĘTE W OPAKOWANIA  
KARTONOWE DŁUGOŚCI 1 M



## KONSTRUKCJA:

Warstwę wewnętrzną przewodu AF019 stanowi nieznacznie perforowany przewód AF012. Powłoką izolacyjną jest wełna mineralna, natomiast osłonę zewnętrzną stanowi trójwarstwowa powłoka z laminowanego aluminium wzmocniona włóknem szklanym.

Symbol	L	D
AF-019 82	10 m	82
AF-019 102	10 m	102
AF-019 127	10 m	127
AF-019 152	10 m	152
AF-019 163	10 m	163
AF-019 178	10 m	178
AF-019 203	10 m	203
AF-019 229	10 m	229
AF-019 254	10 m	254
AF-019 277	10 m	277
AF-019 305	10 m	305
AF-019 315	10 m	315
AF-019 356	10 m	356
AF-019 406	10 m	406
AF-019 458	10 m	458
AF-019 508	10 m	508



KANAŁY  
I KSZTAŁTKI  
PROSTOKĄTNE



# GKRP

KLAPA REWIZYJNA NA KANAŁ PROSTOKĄTNY

Kanały wykonane zgodnie z normami

	Klasa A1	Klasa B2
PN-EN 1507		
PN-EN 1506		
PN-EN 1505		
PN-EN 12237		

## Prostokąt

grubość blachy wg. normy zakładowej GreKa	gr [mm]	gr [mm]
100 ≤ A, B < 400	0,5	0,5
400 < A, B < 800	0,6	0,6
800 ≤ A, B < 1500	0,75	0,75
1500 ≤ A, B < 2000	0,9	0,9
A, B > 2000	1 - 1,1	1 - 1,1

## wzmocnienia (kanały)

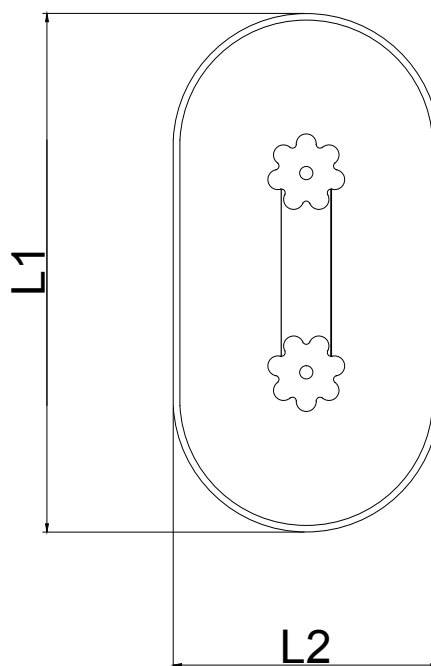
min	1000	1000
podziałka poprzeczna	500	500
ilość wzmocnień dla L=1500	1	1

## Silikon

narożniki	X	X
szwy	brak	X
wzmocnienia, kierownice	brak	X

## Wielkość ramki:

profil 20	do boku 1000mm
profil 30	do boku 2000mm
profil 40	dla boków powyżej 2000mm

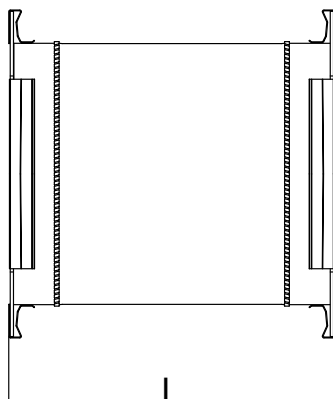
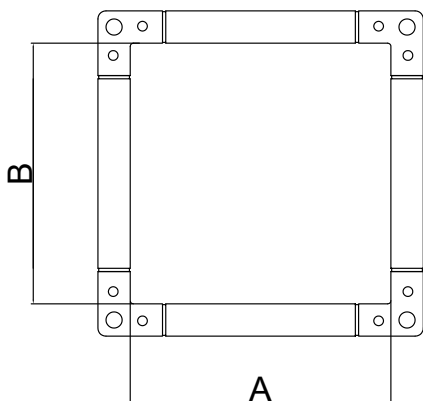


Symbol	L1*L2
GKRP 180*80	180*80
GKRP 200*100	200*100
GKRP 250*150	250*150
GKRP 300*200	300*200
GKRP 400*300	400*300
GKRP 500*400	500*400
GKRP 600*450	600*450



# GKEP

KRÓCIEC ELASTYCZNY PROSTOKĄTNY



Symbol	A	B
GKEP 200*200	200	200
GKEP 200*300	200	300
GKEP 200*400	200	400
GKEP 200*500	200	500
GKEP 200*600	200	600
GKEP 200*800	200	800
GKEP 200*1000	200	1000
GKEP 200*1200	200	1200
GKEP 400*200	400	200
GKEP 400*300	400	300
GKEP 400*400	400	400
GKEP 400*500	400	500
GKEP 400*600	400	600
GKEP 400*800	400	800
GKEP 400*1000	400	1000
GKEP 400*1200	400	1200
GKEP 600*200	600	200
GKEP 600*300	600	300
GKEP 600*400	600	400
GKEP 600*500	600	500
GKEP 600*600	600	600
GKEP 600*800	600	800
GKEP 600*1000	600	1000
GKEP 600*1200	600	1200
GKEP 800*200	800	200
GKEP 800*300	800	300
GKEP 800*400	800	400
GKEP 800*500	800	500
GKEP 800*600	800	600
GKEP 800*800	800	800
GKEP 800*1000	800	1000
GKEP 800*1200	800	1200
GKEP 1000*200	1000	200
GKEP 1000*300	1000	300
GKEP 1000*400	1000	400
GKEP 1000*500	1000	500
GKEP 1000*600	1000	600
GKEP 1000*800	1000	800
GKEP 1000*1000	1000	1000
GKEP 1000*1200	1000	1200
GKEP 1200*200	1200	200
GKEP 1200*300	1200	300
GKEP 1200*400	1200	400
GKEP 1200*500	1200	500
GKEP 1200*600	1200	600
GKEP 1200*800	1200	800
GKEP 1200*1000	1200	1000
GKEP 1200*1200	1200	1200



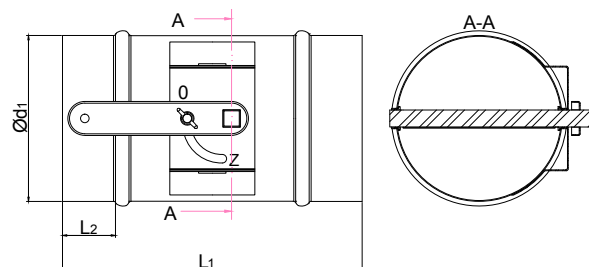
# PRZEPUSTNICE



Symbol	d1
GPJO 100	100
GPJO 125	125
GPJO 160	160
GPJO 200	200
GPJO 250	250
GPJO 315	315
GPJO 355	355
GPJO 400	400
GPJO 450	450
GPJO 500	500
GPJO 560	560
GPJO 630	630

# GPJO

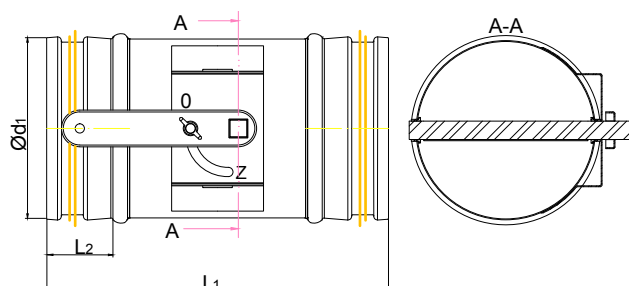
PRZEPUSTNICA  
JEDNOPŁASZCZYNOWA KOŁOWA



Symbol	d1
GPJOU 100	100
GPJOU 125	125
GPJOU 160	160
GPJOU 200	200
GPJOU 250	250
GPJOU 315	315
GPJOU 355	355
GPJOU 400	400
GPJOU 450	450
GPJOU 500	500
GPJOU 560	560
GPJOU 630	630

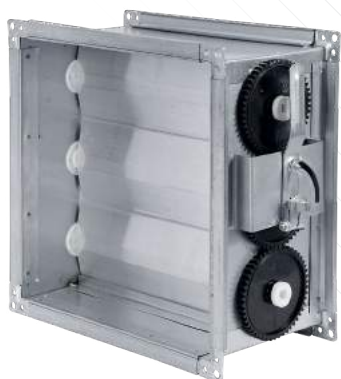
# GPJOU

PRZEPUSTNICA JEDNOPŁASZCZYNOWA  
KOŁOWA Z USZCZELKĄ



# GPWR

PRZEPUSTNICA WIELOPŁASZCZYZNOWA  
Z MECHANIZMEM RĘCZNYM



H/B

210

310

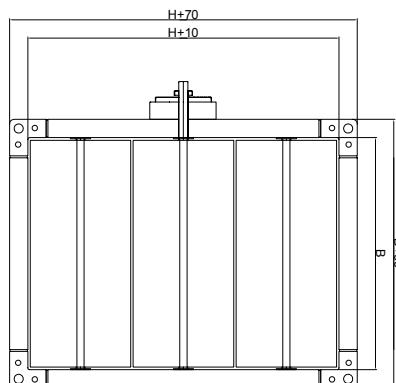
410

510

610

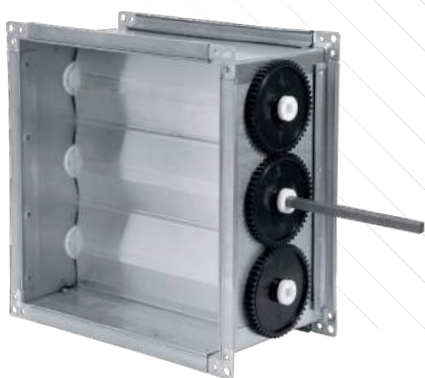
810

1010



# GPWE

PRZEPUSTNICA WIELOPŁASZCZYZNOWA  
POD SIŁOWNIK



H/B

210

310

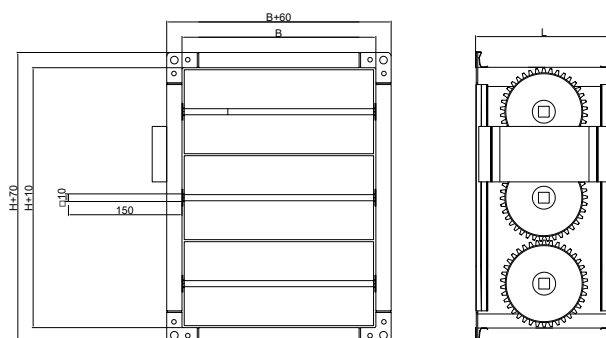
410

510

610

810

1010



**H/B**

214

250

314

414

514

614

714

814

914

1014

1114

1214

1250

1314

1414

1514

1614

1714

1814

1914

2014

2114

2214

2314

Przepustnica z mechanizmem ręcznym + 5 zł

Większe wymiary (przepustnice dzielone) - ceny ustalane indywidualnie

# GPWR.AL

**H/B**

100

160

200

250

300

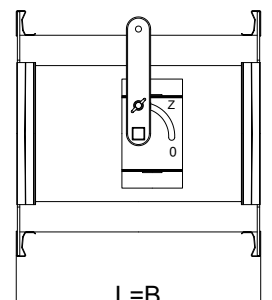
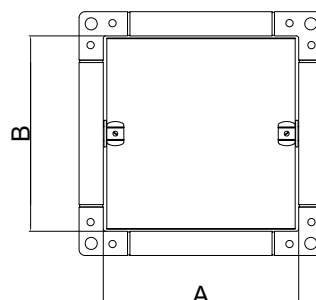
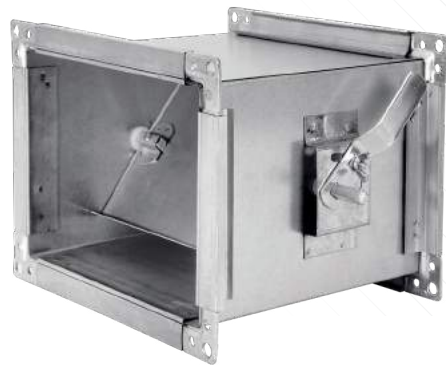
400

500

600

# GPJP

PRZEPUSTNICA JEDNOPŁASZCZYNOWA

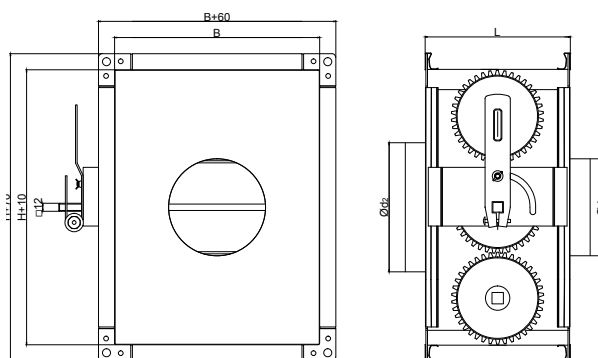


# GPWO

PRZEPUSTNICA WIELOPŁASZCZYZNOWA  
Z KRÓĆCAMI

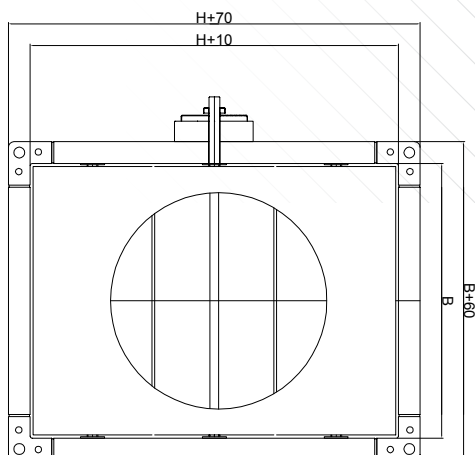


Symbol	B	H	d1
GPWO 400	500	510	400
GPWO 500	600	610	500
GPWO 600	700	710	600
GPWO 700	800	810	700
GPWO 800	900	910	800
GPWO 900	1000	1010	900



# GPWOU

PRZEPUSTNICA WIELOPŁASZCZYZNOWA  
Z KRÓĆCEM OKRĄGŁYM Z USZCZELKĄ

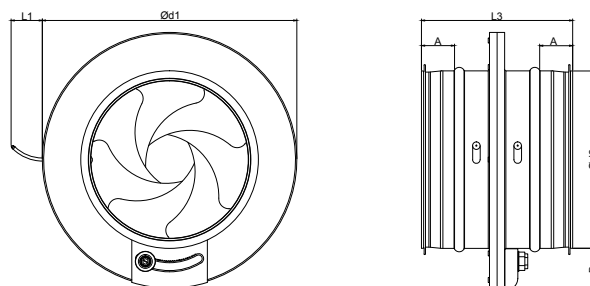


Symbol	B	H	d1
GPWOU 400	500	510	400
GPWOU 500	600	610	500
GPWOU 600	700	710	600
GPWOU 700	800	810	700
GPWOU 800	900	910	800
GPWOU 900	1000	1010	900

Symbol	d2
IRIS 100	100
IRIS 125	125
IRIS 150	150
IRIS 160	160
IRIS 200	200
IRIS 250	250
IRIS 300	300
IRIS 315	315
IRIS 400	400
IRIS 500	500
IRIS 630	630
IRIS 800	800

# IRIS

PRZEPUSTNICA TYPU IRYS



**H/B**

100

160

200

250

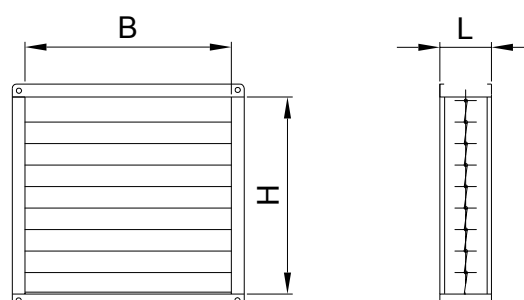
300

400

500

600

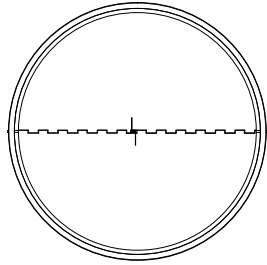
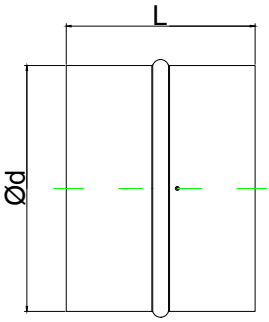
# GPZP





# RSK

PRZEPUSTNICA ZWROTNA



## Symbol

d

RSK 100 100

RSK 125 125

RSK 160 160

RSK 200 200

RSK 250 250

RSK 315 315

RSK 355 355

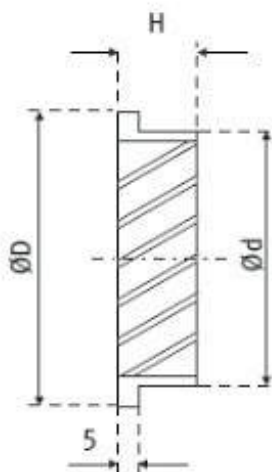
RSK 400 400



ŻALUZJE  
WYWIEWNE,  
CZERPNIĘ ŚCIENNE



Symbol	d
KWO-AL 100	100
KWO-AL 125	125
KWO-AL 150	150
KWO-AL 160	160
KWO-AL 200	200
KWO-AL 250	250
KWO-AL 315	315
KWO-AL 400	400

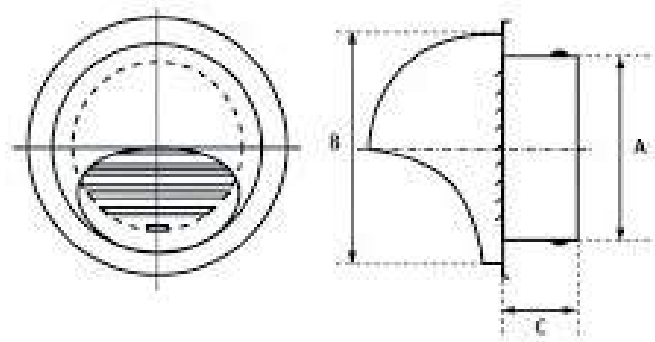


# KWO-AL

CZERPNIĄ-WYRZUTNIĄ ŚCIENNĄ KWO-AL.



Symbol	A
VLA 100	100
VLA 125	125
VLA 150	150
VLA 160	160
VLA 200	200
VLA 250	250



# VLA

CZERPNIĄ-WYRZUTNIĄ ŚCIENNĄ KWO-VLA.



# GCWP

CZERPNIĄ-WYRZUTNIĄ ŚCIENNĄ PROSTOKĄTNĄ



**H/B**

250

315

400

500

630

800

1000

1200

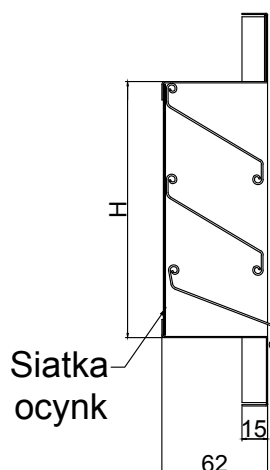
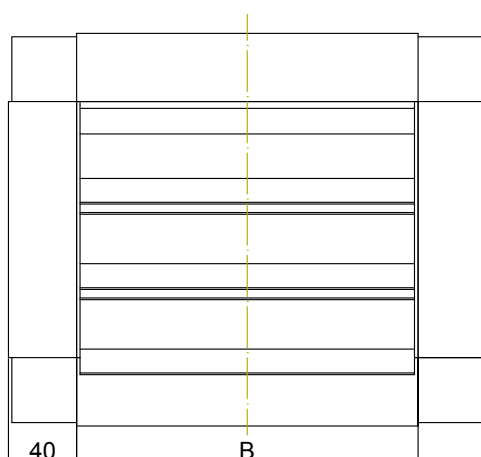
1400

1500

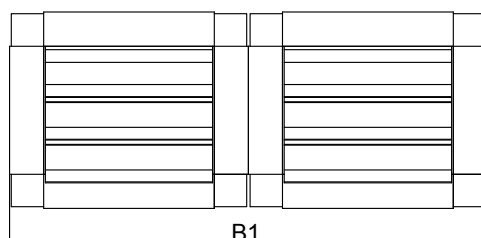
1600

1800

2000

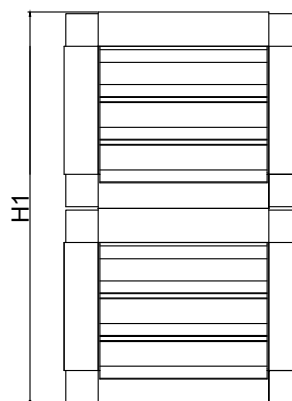


Układ czepni i ramy montażowej dla  
B>2000 lub H>2000



$$B1=2B+160$$

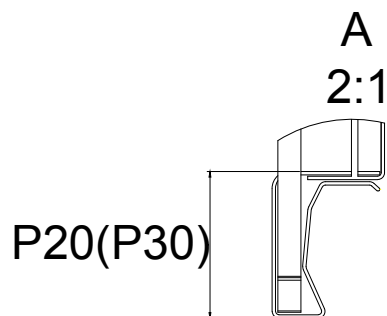
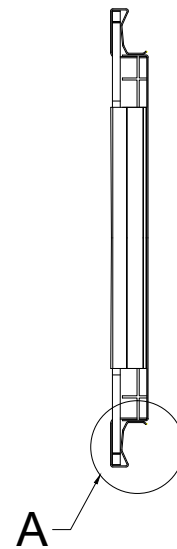
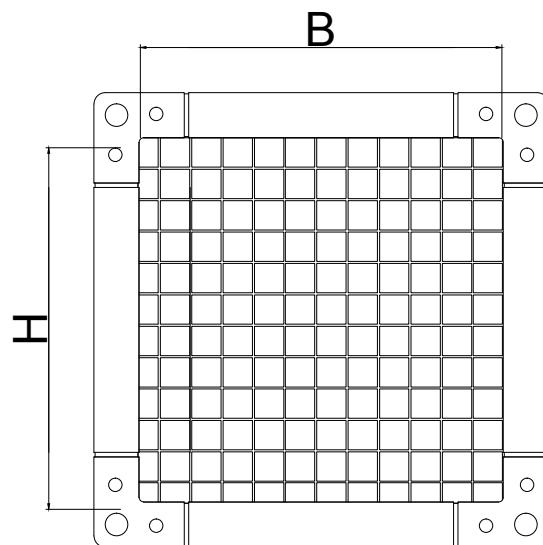
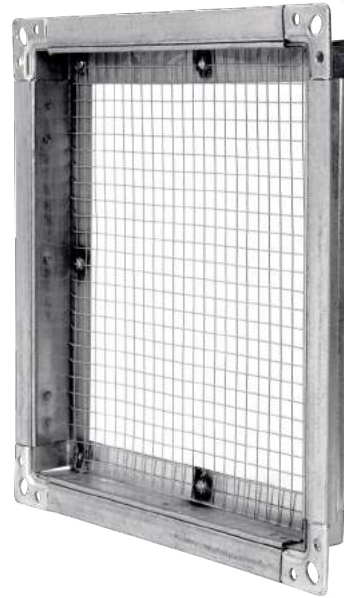
$$H1=2H+160$$



# GSPR

RAMKA Z SIATKĄ

H/B
250
315
400
500
630
800
1000
1250
1400
1600
1800
2000

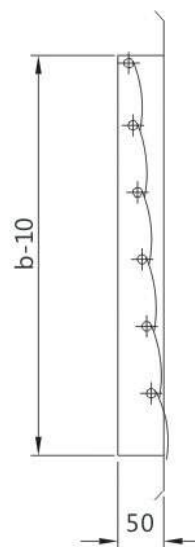
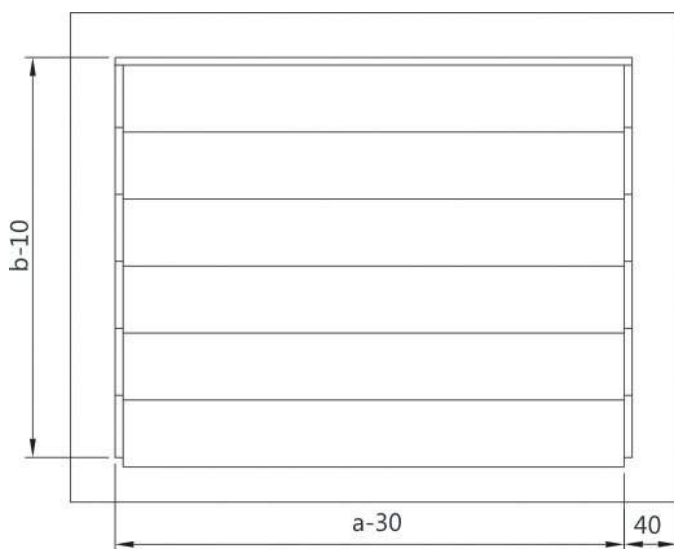


# GWZP

WYRZUTNIA ŚCIENNA PROSTOKĄTNA  
ŻALUZJOWA



B/A
200
250
315
400
500
630
800
1000
1250
1400
1600
1800
2000







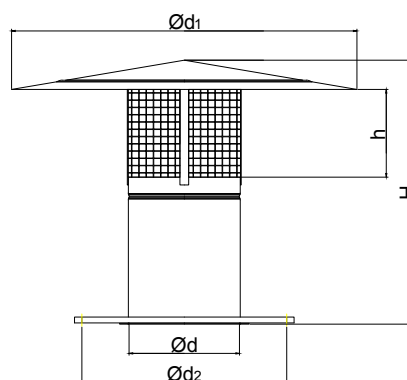
CZERPNIĘ, WYRZUTNIE  
DACHOWE, PODSTAWY  
DACHOWE, COKOŁY



Symbol	d
GCDOC 100	100
GCDOC 125	125
GCDOC 160	160
GCDOC 200	200
GCDOC 250	250
GCDOC 315	315
GCDOC 355	355
GCDOC 400	400
GCDOC 450	450
GCDOC 500	500
GCDOC 560	560
GCDOC 630	630
GCDOC 710	710

# GCDOC

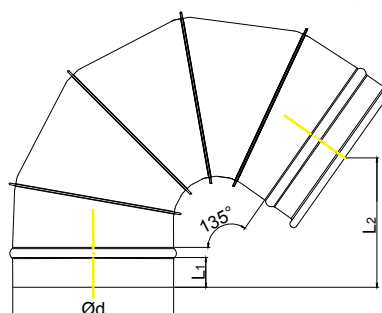
CZERPNIĄ DACHOWĄ OKRĄGLĄ TYP C



Symbol	d
GCDOF135 100	100
GCDOF135 125	125
GCDOF135 160	160
GCDOF135 200	200
GCDOF135 250	250
GCDOF135 315	315
GCDOF135 355	355
GCDOF135 400	400
GCDOF135 450	450
GCDOF135 500	500
GCDOF135 560	560
GCDOF135 630	630

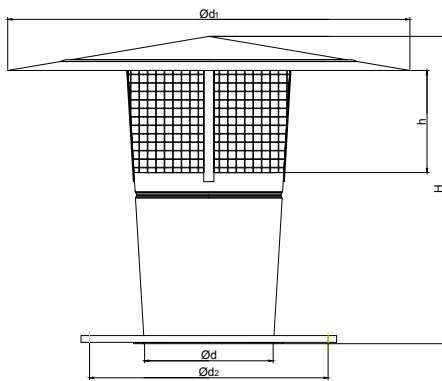
# GCDOF135

CZERPNIĄ DACHOWĄ OKRĄGLĄ KOLANOWĄ



# GWDOC

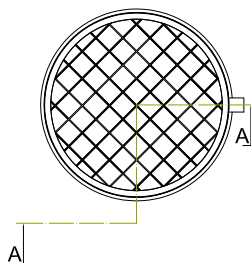
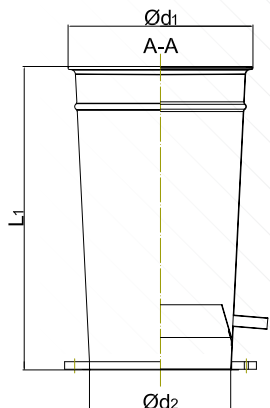
WYRZUTNIA DACHOWA OKRĄGŁA TYP C



Symbol	d
GWDOC 100	100
GWDOC 125	125
GWDOC 160	160
GWDOC 200	200
GWDOC 250	250
GWDOC 315	315
GWDOC 355	355
GWDOC 400	400
GWDOC 450	450
GWDOC 500	500
GWDOC 560	560
GWDOC 630	630

# GWODD

WYRZUTNIA DACHOWA OKRĄGŁA TYP D

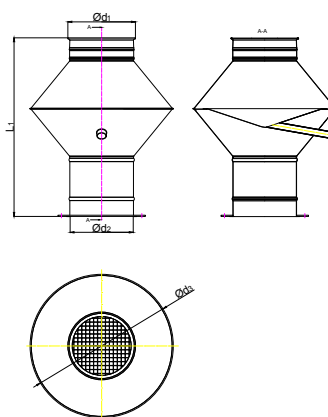


Symbol	d2
GWODD 100	100
GWODD 125	125
GWODD 160	160
GWODD 200	200
GWODD 250	250
GWODD 315	315
GWODD 355	355
GWODD 400	400
GWODD 450	450
GWODD 500	500

Symbol	d2
GWDOE 100	100
GWDOE 125	125
GWDOE 160	160
GWDOE 200	200
GWDOE 250	250
GWDOE 315	315
GWDOE 355	355
GWDOE 400	400
GWDOE 450	450
GWDOE 500	500
GWDOE 560	560
GWDOE 630	630

# GWDOE

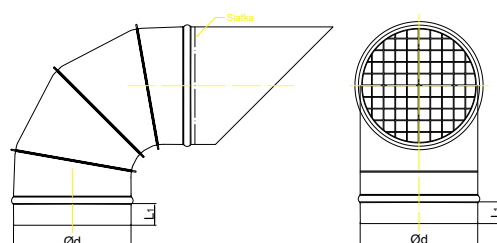
WYRZUTNIA DACHOWA OKRĄGŁA TYP E



Symbol	d1
GWDOF90 100	100
GWDOF90 125	125
GWDOF90 160	160
GWDOF90 200	200
GWDOF90 250	250
GWDOF90 315	315
GWDOF90 355	355
GWDOF90 400	400
GWDOF90 450	450
GWDOF90 500	500
GWDOF90 560	560
GWDOF90 630	630

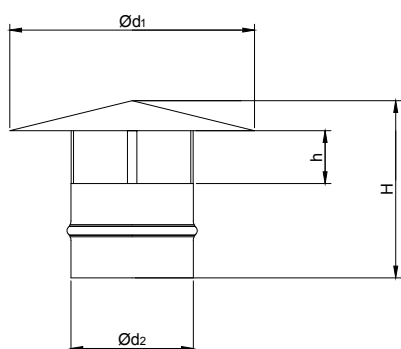
# GWDOF90

WYRZUTNIA DACHOWA OKRĄGŁA KOLANOWA



# GKDR

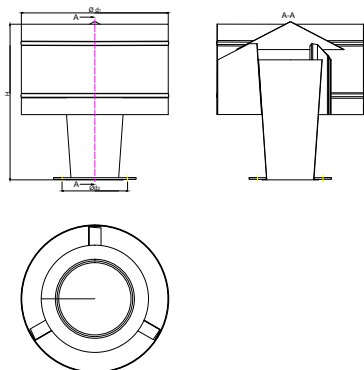
DASZEK OKRĄGLY



Symbol	d1
GKDR 100	100
GKDR 125	125
GKDR 160	160
GKDR 200	200
GKDR 250	250
GKDR 315	315
GKDR 355	355
GKDR 400	400
GKDR 450	450
GKDR 500	500
GKDR 560	560
GKDR 630	630

# GWCO

WYWIETRZAK CYLINDRYCZNY

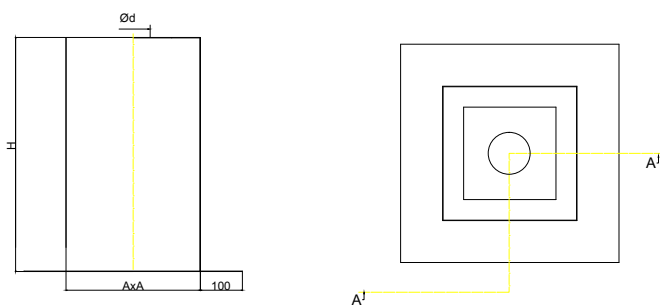


Symbol	d2
GWCO 100	100
GWCO 125	125
GWCO 160	160
GWCO 200	200
GWCO 250	250
GWCO 315	315
GWCO 355	355
GWCO 400	400
GWCO 450	450
GWCO 500	500
GWCO 560	560
GWCO 630	630
GWCO 710	710
GWCO 800	800

Symbol	d
GCD 100	100
GCD 125	125
GCD 160	160
GCD 200	200
GCD 250	250
GCD 315	315
GCD 355	355
GCD 400	400
GCD 500	500
GCD 630	630
GCD 710	710
GCD 800	800

# GCD

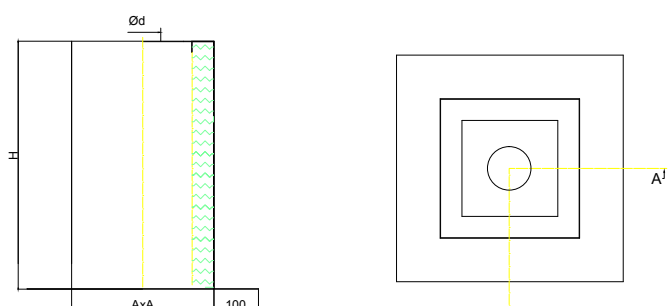
COKÓŁ POD PODSTAWĘ DACHOWĄ PROSTY



Symbol	d
GCDI 100	100
GCDI 125	125
GCDI 160	160
GCDI 200	200
GCDI 250	250
GCDI 315	315
GCDI 355	355
GCDI 400	400
GCDI 500	500
GCDI 630	630
GCDI 710	710
GCDI 800	800

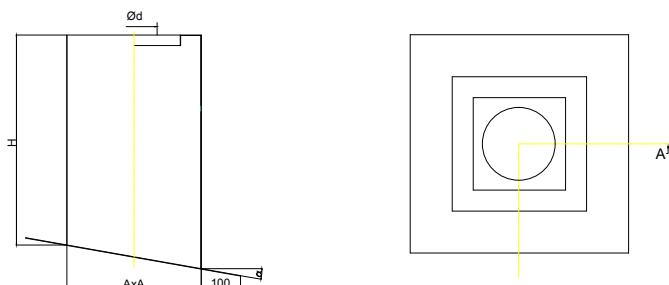
# GCDI

COKÓŁ POD PODSTAWĘ DACHOWĄ PROSTY IZOLOWANY



# GCDS

COKÓŁ POD PODSTAWĘ DACHOWĄ  
JEDNOSTRONNIE SKOŚNY (SKOS DO 15%)



**Symbol**      **d**

GCDS 100      100

GCDS 125      125

GCDS 160      160

GCDS 200      200

GCDS 250      250

GCDS 315      315

GCDS 355      355

GCDS 400      400

GCDS 500      500

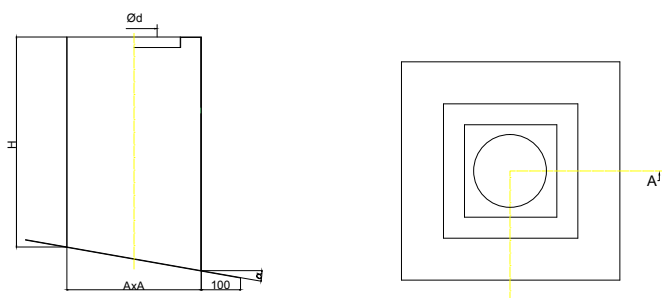
GCDS 630      630

GCDS 710      710

GCDS 800      800

# GCDS2

COKÓŁ POD PODSTAWĘ DACHOWĄ  
JEDNOSTRONNIE SKOŚNY (SKOS POWYŻEJ 15%)



**Symbol**      **d**

GCDS2 100      100

GCDS2 125      125

GCDS2 160      160

GCDS2 200      200

GCDS2 250      250

GCDS2 315      315

GCDS2 355      355

GCDS2 400      400

GCDS2 500      500

GCDS2 630      630

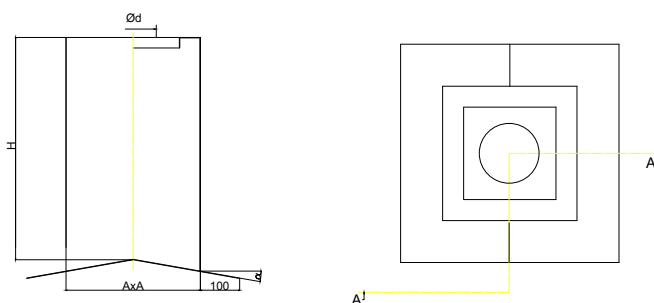
GCDS2 710      710

GCDS2 800      800

Symbol	d
GCDOS 100	100
GCDOS 125	125
GCDOS 160	160
GCDOS 200	200
GCDOS 250	250
GCDOS 315	315
GCDOS 355	355
GCDOS 400	400
GCDOS 500	500
GCDOS 630	630

# GCDOS

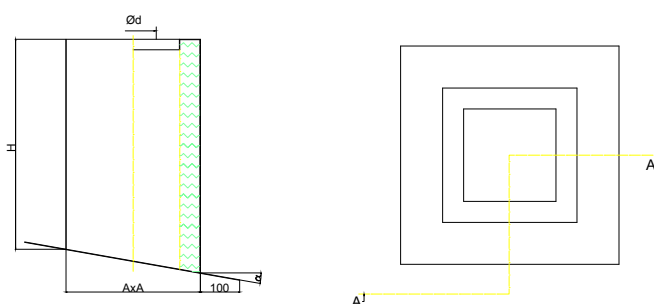
COKÓŁ POD PODSTAWĘ DACHOWĄ  
OBUSTRONNIE SKOŚNY



Symbol	d
GCDSI 100	100
GCDSI 125	125
GCDSI 160	160
GCDSI 200	200
GCDSI 250	250
GCDSI 315	315
GCDSI 355	355
GCDSI 400	400
GCDSI 500	500
GCDSI 630	630
GCDSI 710	710
GCDSI 800	800

# GCDSI

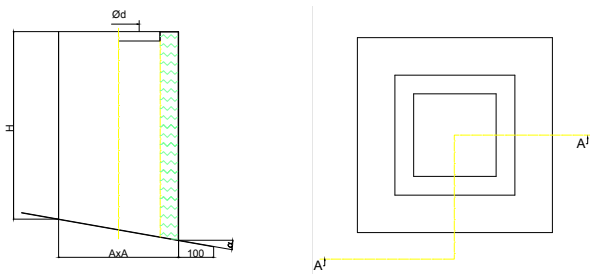
COKÓŁ POD PODSTAWĘ DACHOWĄ  
JEDNOSTRONNIE SKOŚNY IZOLOWANY  
(SKOS DO 15%)





# GCDS2I

COKÓŁ POD PODSTAWĘ DACHOWĄ  
JEDNOSTRONNIE SKOŚNY IZOLOWANY  
(SKOS POWYŻEJ 15%)



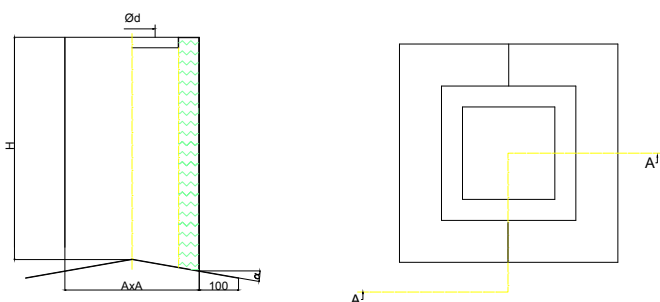
## Symbol

d

GCDS2I 100	100
GCDS2I 125	125
GCDS2I 160	160
GCDS2I 200	200
GCDS2I 250	250
GCDS2I 315	315
GCDS2I 355	355
GCDS2I 400	400
GCDS2I 500	500
GCDS2I 630	630
GCDS2I 710	710
GCDS2I 800	800

# GCDOSI

COKÓŁ POD PODSTAWĘ DACHOWĄ  
OBUSTRONNIE SKOŚNY IZOLOWANY



## Symbol

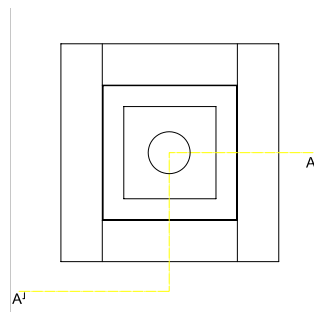
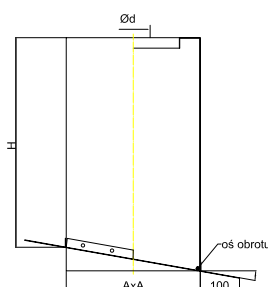
d

GCDOSI 100	100
GCDOSI 125	125
GCDOSI 160	160
GCDOSI 200	200
GCDOSI 250	250
GCDOSI 315	315
GCDOSI 355	355
GCDOSI 400	400
GCDOSI 500	500
GCDOSI 630	630

Symbol	d
GCDR 100	100
GCDR 125	125
GCDR 160	160
GCDR 200	200
GCDR 250	250
GCDR 315	315
GCDR 355	355
GCDR 400	400
GCDR 500	500
GCDR 630	630
GCDR 710	710
GCDR 800	800

# GCDR

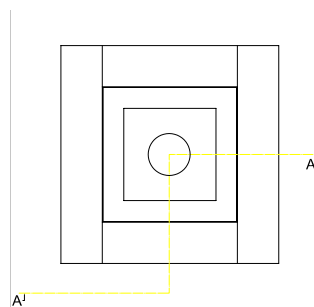
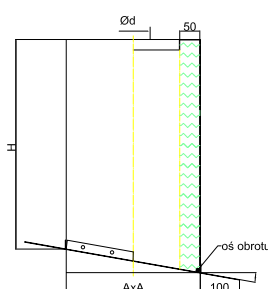
COKÓŁ POD PODSTAWĘ DACHOWĄ  
REGULOWANY SPADEK



Symbol	d
GCDRI 100	100
GCDRI 125	125
GCDRI 160	160
GCDRI 200	200
GCDRI 250	250
GCDRI 315	315
GCDRI 355	355
GCDRI 400	400
GCDRI 500	500
GCDRI 630	630
GCDRI 710	710
GCDRI 800	800

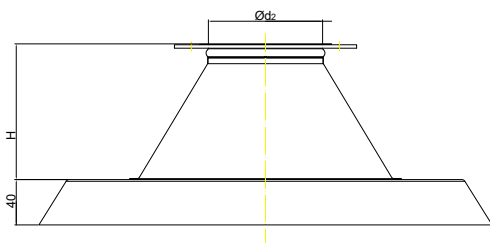
# GCDRI

COKÓŁ POD PODSTAWĘ DACHOWĄ  
REGULOWANY SPADEK IZOLOWANY



# GPDO1

PODSTAWA DACHOWA OKRĄGŁA B1



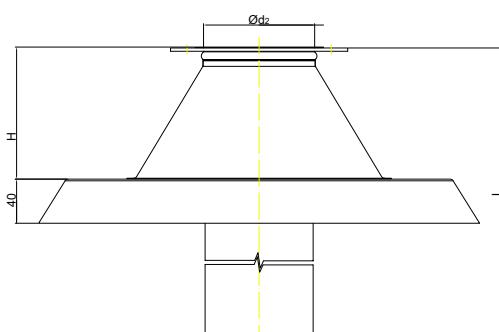
**Symbol**

**d2**

GPDO1 100	100
GPDO1 125	125
GPDO1 160	160
GPDO1 200	200
GPDO1 250	250
GPDO1 315	315
GPDO1 400	400
GPDO1 500	500
GPDO1 630	630

# GPDO2

PODSTAWA DACHOWA OKRĄGŁA B2



**Symbol**

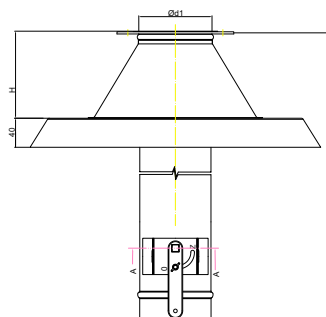
**d2**

GPDO2 100	100
GPDO2 125	125
GPDO2 160	160
GPDO2 200	200
GPDO2 250	250
GPDO2 315	315
GPDO2 400	400
GPDO2 500	500

Symbol	d1
GPDO3R 100	100
GPDO3R 125	125
GPDO3R 160	160
GPDO3R 200	200
GPDO3R 250	250
GPDO3R 315	315
GPDO3R 400	400
GPDO3R 500	500
GPDO3R 630	630

# GPDO3R

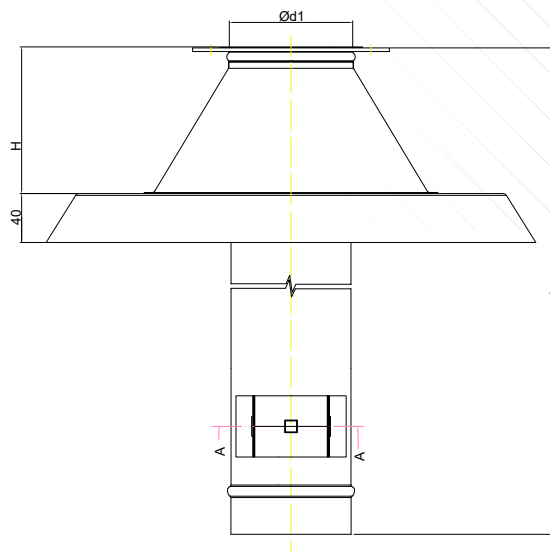
PODSTAWA DACHOWA OKRĄGŁA B3  
Z MECHANIZMEM RĘCZNYM



Symbol	d1
GPDO3E 100	100
GPDO3E 125	125
GPDO3E 160	160
GPDO3E 200	200
GPDO3E 250	250
GPDO3E 315	315
GPDO3E 400	400
GPDO3E 500	500
GPDO3E 630	630

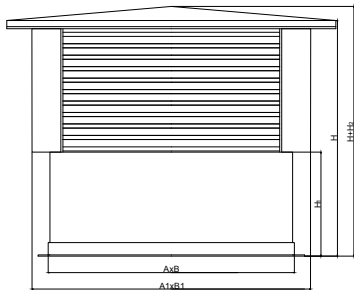
# GPDO3E

PODSTAWA DACHOWA OKRĄGŁA B3  
POD SIŁOWNIK



# GCWDPB

CZERPNIĄ WYRZUTNIA DACHOWA  
PROSTOKĄTNA TYP B



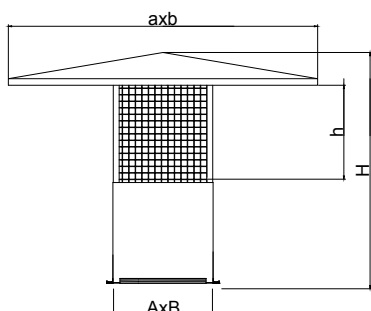
## Symbol

## bxh

GCWDPB 250*250	250*250
GCWDPB 250*400	250*400
GCWDPB 250*630	250*630
GCWDPB 400*400	400*400
GCWDPB 400*630	400*630
GCWDPB 630*630	630*630
GCWDPB 800*800	800*800
GCWDPB 1000*1000	1000*1000
GCWDPB 1200*1200	1200*1200

# GCDPA

CZERPNIĄ DACHOWĄ PROSTOKĄTĄ TYP A



## Symbol

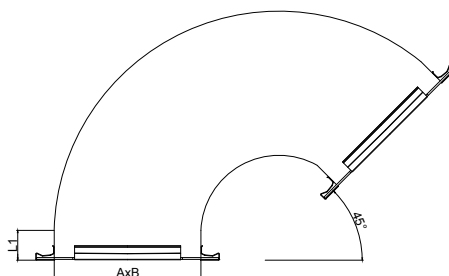
## bxh

GCDPA 200*200	200*200
GCDPA 250*250	250*250
GCDPA 250*400	250*400
GCDPA 250*630	250*630
GCDPA 300*300	300*300
GCDPA 350*350	350*350
GCDPA 400*400	400*400
GCDPA 400*630	400*630
GCDPA 450*450	450*450
GCDPA 500*500	500*500
GCDPA 550*550	550*550
GCDPA 600*600	600*600
GCDPA 630*630	630*630
GCDPA 630*1000	630*1000
GCDPA 800*800	800*800
GCDPA 630*1600	630*1600
GCDPA 1000*1000	1000*1000
GCDPA 1000*1600	1000*1600

Symbol	a	b
GCDPF135 250*250	250	250
GCDPF135 250*400	250	400
GCDPF135 250*630	250	630
GCDPF135 400*400	400	400
GCDPF135 400*630	400	630
GCDPF135 630*630	630	630
GCDPF135 630*1000	630	1000
GCDPF135 630*1600	630	1600
GCDPF135 1000*1000	1000	1000
GCDPF135 1000*1600	1000	1600

# GCDPF135

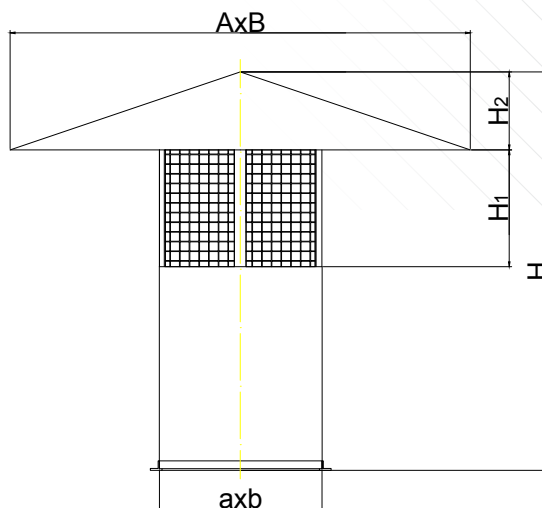
CZERPNIĄ DACHOWĄ PROSTOKĄTNĄ  
KOLANOWĄ 135



Symbol	bxh
GWDPA 200*200	200*200
GWDPA 250*250	250*250
GWDPA 250*400	250*400
GWDPA 250*630	250*630
GWDPA 300*300	300*300
GWDPA 350*350	350*350
GWDPA 400*400	400*400
GWDPA 400*630	400*630
GWDPA 450*450	450*450
GWDPA 500*500	500*500
GWDPA 550*550	550*550
GWDPA 600*600	600*600
GWDPA 630*630	630*630
GWDPA 630*1000	630*1000
GWDPA 800*800	800*800
GWDPA 630*1600	630*1600
GWDPA 1000*1000	1000*1000
GWDPA 1000*1600	1000*1600

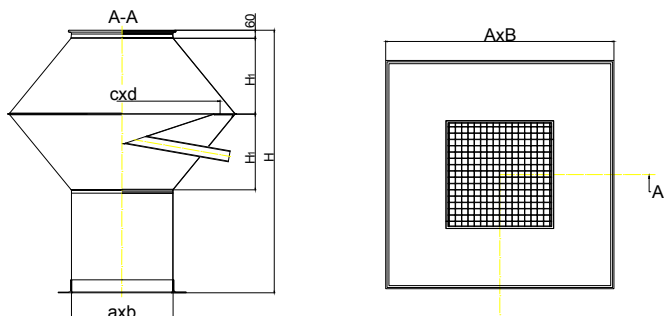
# GWDPA

WYRZUTNIA DACHOWĄ PROSTOKĄTNĄ  
TYP A



# GWDPE

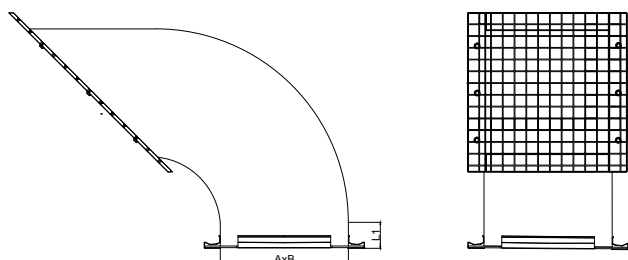
WYRZUTNIA DACHOWA PROSTOKĄTNA  
TYP E



Symbol	b x h
GWDPE 200*200	200*200
GWDPE 250*250	250*250
GWDPE 300*300	300*300
GWDPE 400*400	400*400
GWDPE 500*500	500*500
GWDPE 630*630	630*630
GWDPE 800*800	800*800
GWDPE 900*900	900*900
GWDPE 1000*1000	1000*1000

# GWDPF90

WYRZUTNIA DACHOWA PROSTOKĄTNA  
KOLANOWA 90

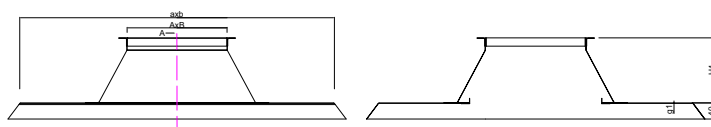


Symbol	a	b
GWDPF90 250*250	250	250
GWDPF90 250*400	250	400
GWDPF90 250*630	250	630
GWDPF90 400*400	400	400
GWDPF90 400*630	400	630
GWDPF90 630*630	630	630
GWDPF90 630*1000	630	1000
GWDPF90 630*1600	630	1600
GWDPF90 1000*1000	1000	1000
GWDPF90 1000*1600	1000	1600

Symbol	bxh
GPDP 200*200	200*200
GPDP 250*250	250*250
GPDP 250*400	250*400
GPDP 250*630	250*630
GPDP 300*300	300*300
GPDP 350*350	350*350
GPDP 400*400	400*400
GPDP 400*630	400*630
GPDP 450*450	450*450
GPDP 500*500	500*500
GPDP 550*550	550*550
GPDP 630*630	630*630
GPDP 630*1000	630*1000
GPDP 800*800	800*800
GPDP 630*1600	630*1600
GPDP 1000*1000	1000*1000
GPDP 1000*1600	1000*1600
GPDP 1500*1500	1500*1500

# GPDP

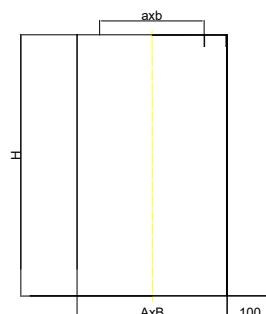
PODSTAWA DACHOWA PROSTOKĄTNA



Symbol	axb
GCDP 250*250	250*250
GCDP 250*400	250*400
GCDP 250*630	250*630
GCDP 400*400	400*400
GCDP 400*630	400*630
GCDP 630*630	630*630
GCDP 630*1000	630*1000
GCDP 630*1600	630*1600
GCDP 1000*1000	1000*1000
GCDP 1000*1600	1000*1600

# GCDP

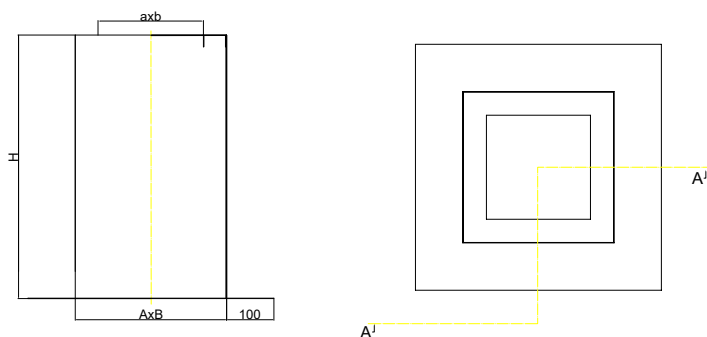
COKÓŁ POD PODSTAWĘ DACHOWĄ PROSTY





# GCDPI

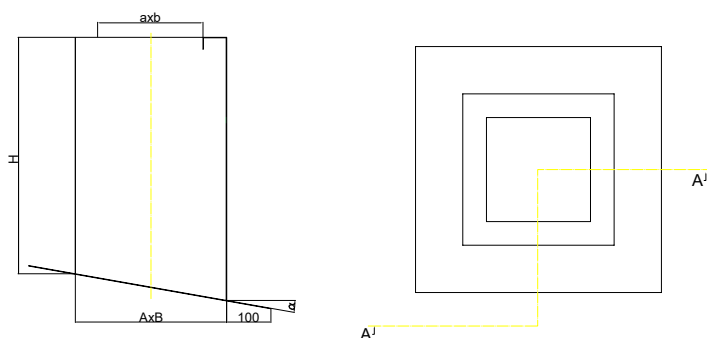
COKÓŁ POD PODSTAWĘ DACHOWĄ PROSTY  
IZOLOWANY



Symbol	axb
GCDPI 250*250	250*250
GCDPI 250*400	250*400
GCDPI 250*630	250*630
GCDPI 400*400	400*400
GCDPI 400*630	400*630
GCDPI 630*630	630*630
GCDPI 630*1000	630*1000
GCDPI 630*1600	630*1600
GCDPI 1000*1000	1000*1000
GCDPI 1000*1600	1000*1600

# GCDPS

COKÓŁ POD PODSTAWĘ DACHOWĄ  
JEDNOSTRONNIE SKOŚNY (SKOS DO 15%)

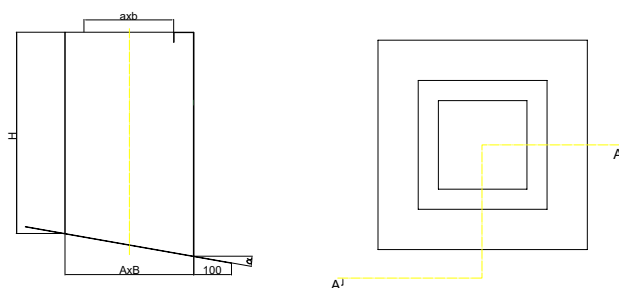


Symbol	axb
GCDPS 250*250	250*250
GCDPS 250*400	250*400
GCDPS 250*630	250*630
GCDPS 400*400	400*400
GCDPS 400*630	400*630
GCDPS 630*630	630*630
GCDPS 630*1000	630*1000
GCDPS 630*1600	630*1600
GCDPS 1000*1000	1000*1000
GCDPS 1000*1600	1000*1600

Symbol	axb
GCDPS2 250*250	250*250
GCDPS2 250*400	250*400
GCDPS2 250*630	250*630
GCDPS2 400*400	400*400
GCDPS2 400*630	400*630
GCDPS2 630*630	630*630
GCDPS2 630*1000	630*1000
GCDPS2 630*1600	630*1600
GCDPS2 1000*1000	1000*1000
GCDPS2 1000*1600	1000*1600

# GCDPS2

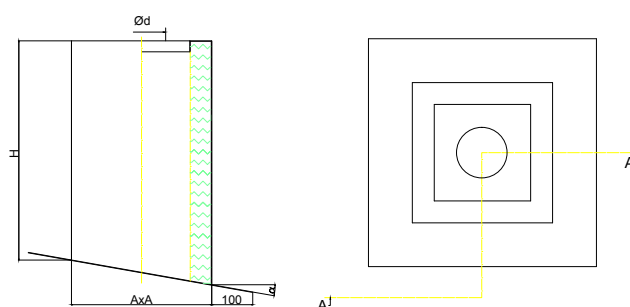
COKÓŁ POD PODSTAWĘ DACHOWĄ  
JEDNOSTRONNIE SKOŚNY (SKOS POWYŻEJ 15%)



Symbol	axb
GCDPSI 250*250	250*250
GCDPSI 250*400	250*400
GCDPSI 250*630	250*630
GCDPSI 400*400	400*400
GCDPSI 400*630	400*630
GCDPSI 630*630	630*630
GCDPSI 630*1000	630*1000
GCDPSI 630*1600	630*1600
GCDPSI 1000*1000	1000*1000
GCDPSI 1000*1600	1000*1600

# GCDPSI

COKÓŁ POD PODSTAWĘ DACHOWĄ  
JEDNOSTRONNIE SKOŚNY IZOLOWANY  
(SKOS DO 15%)

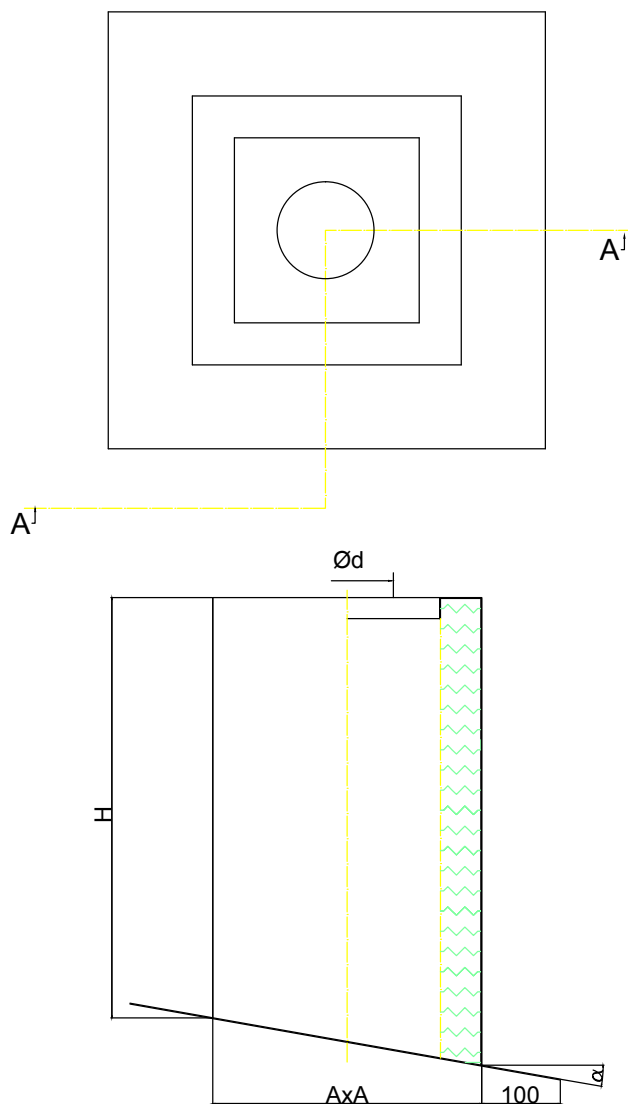


# GCDPS2I

COKÓŁ POD PODSTAWĘ DACHOWĄ  
JEDNOSTRONNIE SKOŚNY IZOLOWANY  
(SKOS POWYŻEJ 15%)



Symbol	axb
GCDPS2I 250*250	250*250
GCDPS2I 250*400	250*400
GCDPS2I 250*630	250*630
GCDPS2I 400*400	400*400
GCDPS2I 400*630	400*630
GCDPS2I 630*630	630*630
GCDPS2I 630*1000	630*1000
GCDPS2I 630*1600	630*1600
GCDPS2I 1000*1000	1000*1000
GCDPS2I 1000*1600	1000*1600





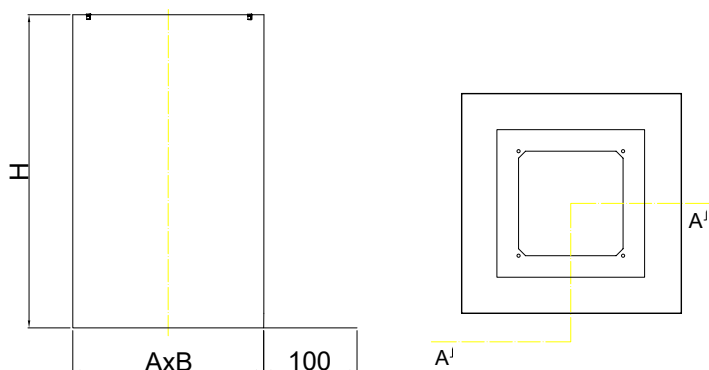
COKOŁY  
POD  
WENTYLATORY



Symbol	axb
GCDPW 290*290	290*290
GCDPW 419*419	419*419
GCDPW 545*545	545*545
GCDPW 615*615	615*615
GCDPW 695*695	695*695
GCDPW 885*885	885*885
GCDPW 1080*1080	1080*1080

# GCDPW

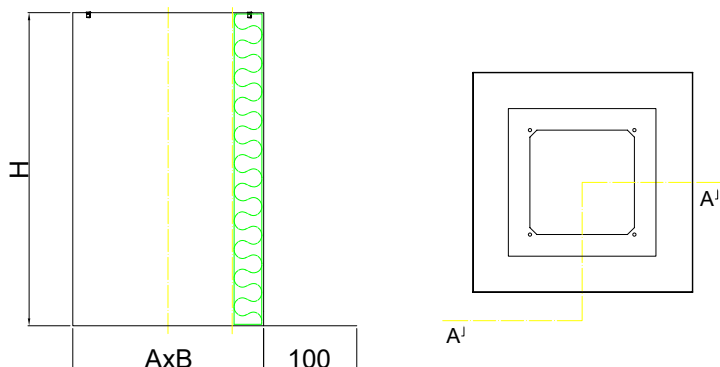
COKÓŁ DACHOWY PROSTY  
POD WENTYLATOR



Symbol	axb
GCDPIW 290*290	290*290
GCDPIW 419*419	419*419
GCDPIW 545*545	545*545
GCDPIW 615*615	615*615
GCDPIW 695*695	695*695
GCDPIW 885*885	885*885
GCDPIW 1080*1080	1080*1080

# GCDPIW

COKÓŁ DACHOWY PROSTY  
IZOLOWANY POD WENTYLATOR

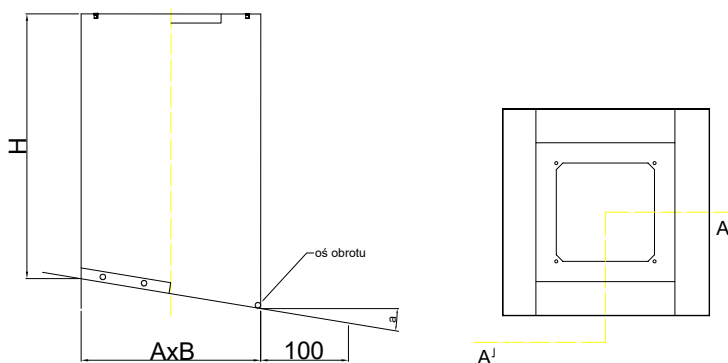


# GCDRW

COKÓŁ DACHOWY REGULOWANY  
POD WENTYLATOR



Symbol	axb
GCDRW 290*290	290*290
GCDRW 419*419	419*419
GCDRW 545*545	545*545
GCDRW 615*615	615*615
GCDRW 695*695	695*695
GCDRW 885*885	885*885
GCDRW 1080*1080	1080*1080

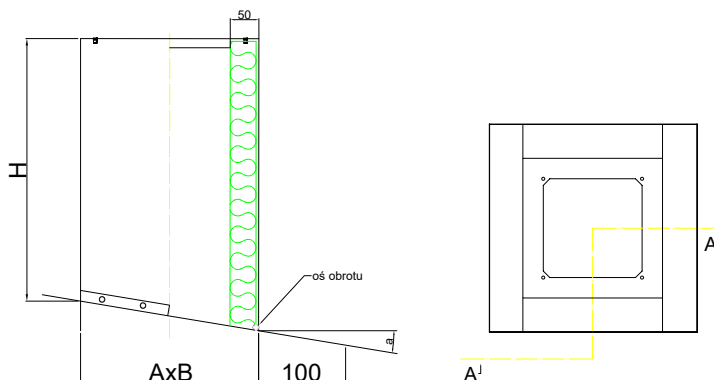


# GCDRIW

COKÓŁ DACHOWY REGULOWANY  
IZOLOWANY POD WENTYLATOR



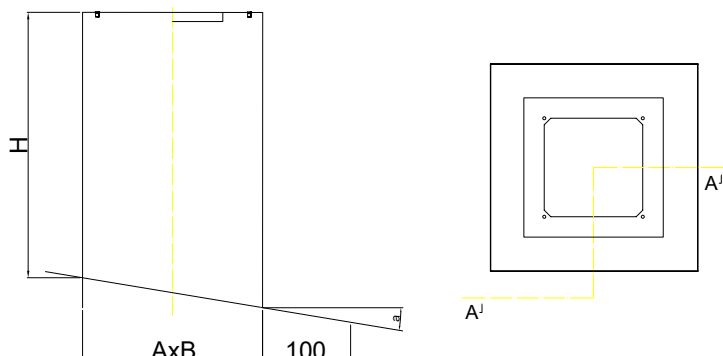
Symbol	axb
GCDRIW 290*290	290*290
GCDRIW 419*419	419*419
GCDRIW 545*545	545*545
GCDRIW 615*615	615*615
GCDRIW 695*695	695*695
GCDRIW 885*885	885*885
GCDRIW 1080*1080	1080*1080



Symbol	axb
GCDSW 290*290	290*290
GCDSW 419*419	419*419
GCDSW 545*545	545*545
GCDSW 615*615	615*615
GCDSW 695*695	695*695
GCDSW 885*885	885*885
GCDSW 1080*1080	1080*1080

# GCDSW

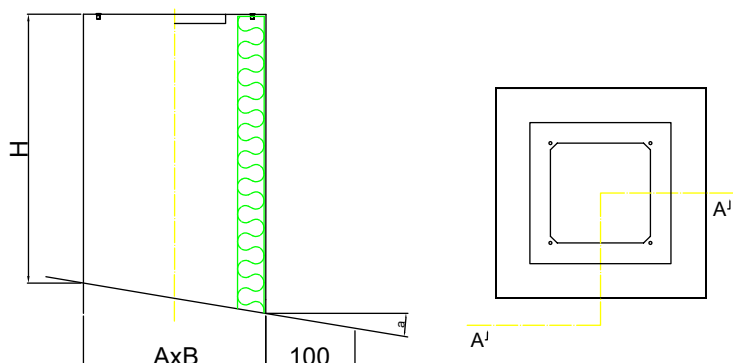
COKÓŁ DACHOWY JEDNOSTRONNIE SKOŚNY  
POD WENTYLATOR (SKOS DO 15%)



Symbol	axb
GCDSIW 290*290	290*290
GCDSIW 419*419	419*419
GCDSIW 545*545	545*545
GCDSIW 615*615	615*615
GCDSIW 695*695	695*695
GCDSIW 885*885	885*885
GCDSIW 1080*1080	1080*1080

# GCDSIW

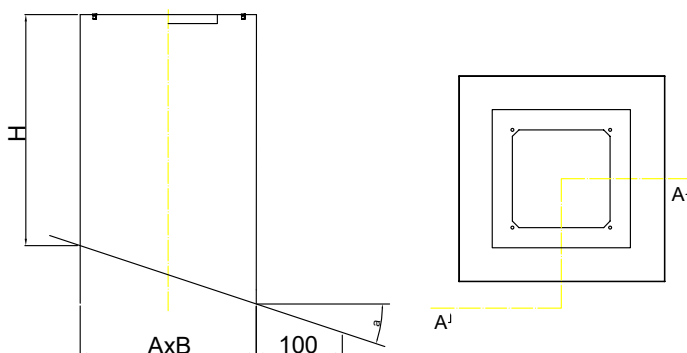
COKÓŁ DACHOWY JEDNOSTRONNIE SKOŚNY  
IZOLOWANY POD WENTYLATOR (SKOS DO 15%)





# GCDS2W

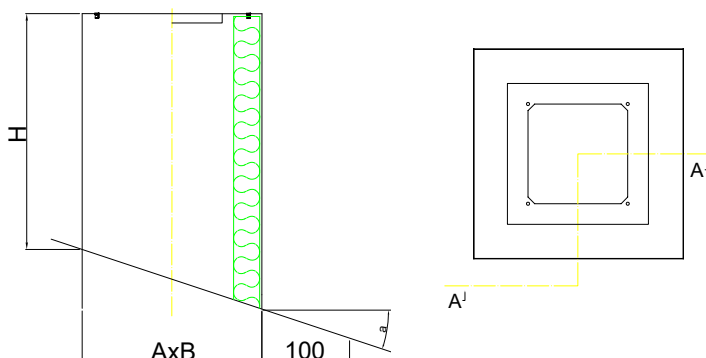
COKÓŁ DACHOWY JEDNOSTRONNIE SKOŚNY  
POD WENTYLATOR (SKOS POWYŻEJ 15%)



Symbol	axb
GCDS2W 290*290	290*290
GCDS2W 419*419	419*419
GCDS2W 545*545	545*545
GCDS2W 615*615	615*615
GCDS2W 695*695	695*695
GCDS2W 885*885	885*885
GCDS2W 1080*1080	1080*1080

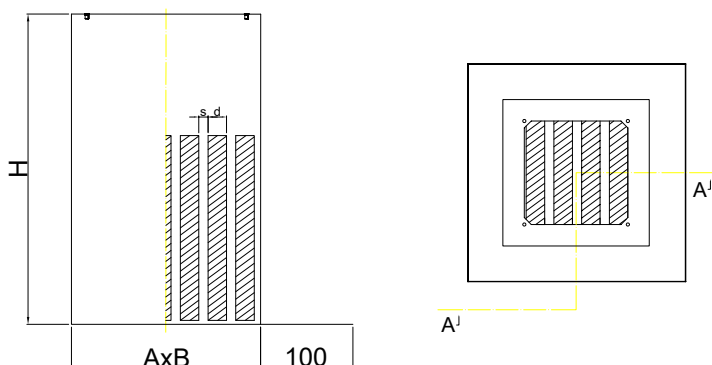
# GCDS2IW

COKÓŁ DACHOWY JEDNOSTRONNIE SKOŚNY  
IZOLOWANY POD WENTYLATOR (SKOS POWYŻEJ  
15%)



Symbol	axb
GCDS2IW 290*290	290*290
GCDS2IW 419*419	419*419
GCDS2IW 545*545	545*545
GCDS2IW 615*615	615*615
GCDS2IW 695*695	695*695
GCDS2IW 885*885	885*885
GCDS2IW 1080*1080	1080*1080

Symbol	axb
GCDPT 290*290	290*290
GCDPT 419*419	419*419
GCDPT 545*545	545*545
GCDPT 615*615	615*615
GCDPT 695*695	695*695
GCDPT 885*885	885*885
GCDPT 1080*1080	1080*1080

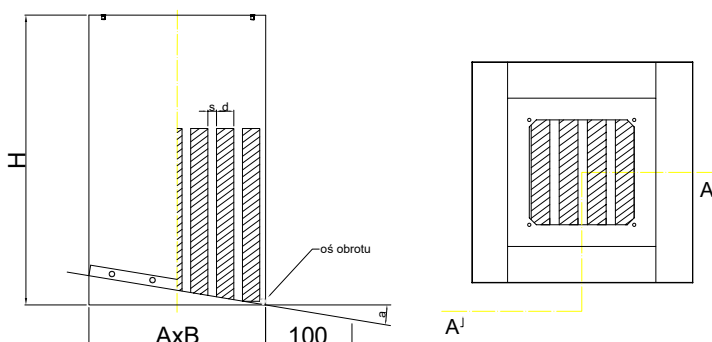


# GCDPT

COKÓŁ DACHOWY TŁUMIĄCY PROSTY  
POD WENTYLATOR



Symbol	axb
GCDRT 290*290	290*290
GCDRT 419*419	419*419
GCDRT 545*545	545*545
GCDRT 615*615	615*615
GCDRT 695*695	695*695
GCDRT 885*885	885*885
GCDRT 1080*1080	1080*1080



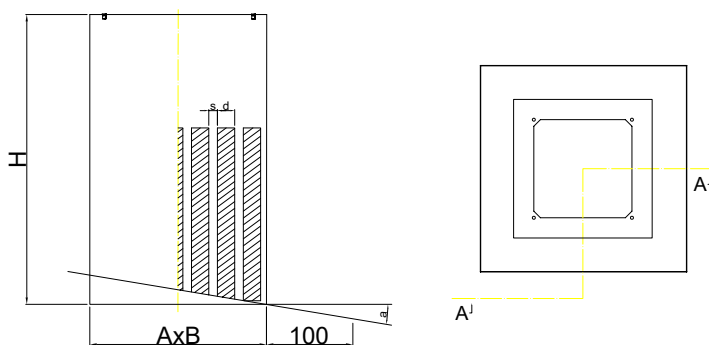
# GCDRT

COKÓŁ DACHOWY TŁUMIĄCY REGULOWANY  
POD WENTYLATOR



# GCDST

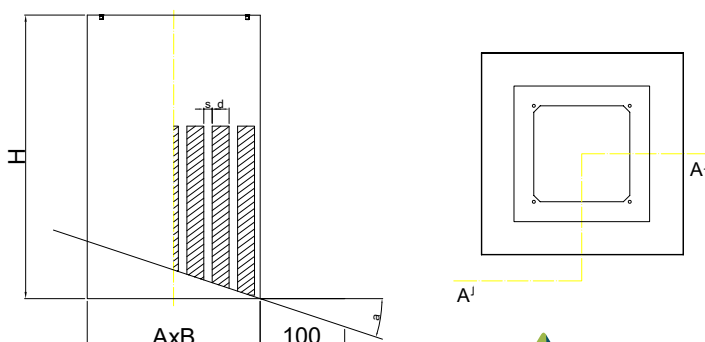
COKÓŁ DACHOWY TŁUMIĄCY SKOŚNY  
POD WENTYLATOR (SKOS DO 15%)



Symbol	axb
GCDST 290*290	290*290
GCDST 419*419	419*419
GCDST 545*545	545*545
GCDST 615*615	615*615
GCDST 695*695	695*695
GCDST 885*885	885*885
GCDST 1080*1080	1080*1080

# GCDS2T

COKÓŁ DACHOWY TŁUMIĄCY SKOŚNY  
POD WENTYLATOR (SKOS POWYŻEJ 15%)



Symbol	axb
GCDS2T 290*290	290*290
GCDS2T 419*419	419*419
GCDS2T 545*545	545*545
GCDS2T 615*615	615*615
GCDS2T 695*695	695*695
GCDS2T 885*885	885*885
GCDS2T 1080*1080	1080*1080



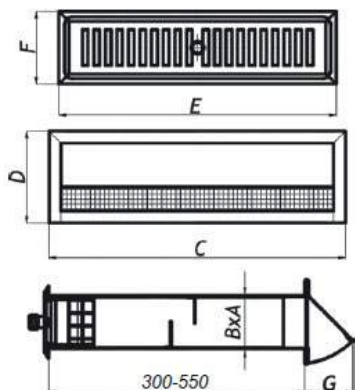
# NAWIETRZAKI PODOKIENNE



**Typ**  
 OC/ML  
 ML/ML  
 CC/ML  
 CH/CH

# NP

NAWIETRZAK PODOKIENNY



Wymiary [mm]

Lp	Wersja nawietrzaka	A	B	C	D	E	F	G	Przekrój kanału [cm <sup>2</sup> ]	Przekrój czynny [cm <sup>2</sup> ]	Waga [kg]
1	NP1	304	53	336	90	325	78	55	160	60	2.80
2	NP2	595	75	630	110	612	95	70	460	158	6.20

OC/ML - czerpnia z blachy ocynkowanej / anemostat biały / kanał z blachy ocynkowanej  
 ML/ML - czerpnia biała / anemostat biały / kanał z blachy ocynkowanej  
 CC/ML - czerpnia z blachy chromoniklowej 1.4301 / anemostat biały / kanał z blachy ocynkowanej  
 CH/CH - czerpnia z blachy chromoniklowej 1.4301 / anemostat z blachy chromoniklowej 14301-4N / kanał z blachy chromoniklowe

W każdej wersji kanał teleskopowy z blachy stalowej ocynkowanej z wywinięciami pod kratkę. Kratka wewnętrzna wykonana z blachy stalowej malowanej proszkowo w kolorze RAL 9010. Nawietrzak wyposażony jest w wymienny wkład filtracyjny.  
 GNP...S - kratka zewnętrzna (z okapnikiem) malowana na RAL 9010 - STANDARD (dostępna z magazynu)  
 GNP...AL - kratka zewnętrzna w wykonaniu aluminiowym (z lamelami)  
 GNP...KO - kratka zewnętrzna w wykonaniu kwasoodpornym (z okapnikiem)  
 GNP...RAL - kratka zewnętrzna (z okapnikiem) malowana na dowolny kolor z palety RAL.

# GNP

NAWIETRZAK PODOKIENNY



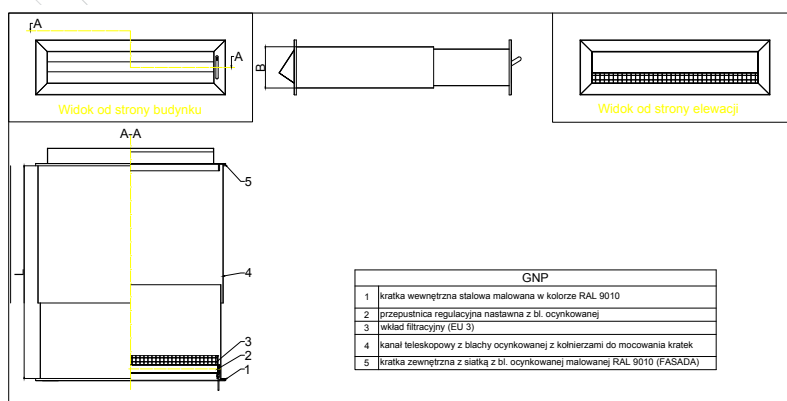
TYP

S

AL.

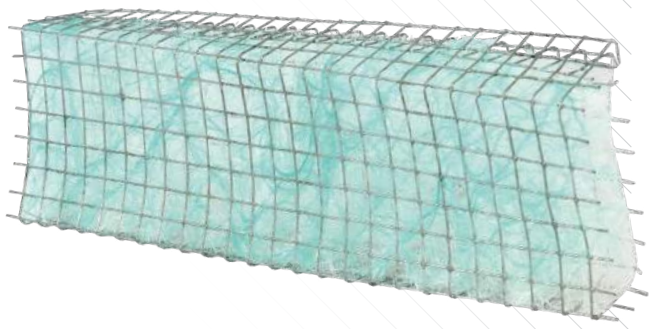
KO

RAL



# FGNP

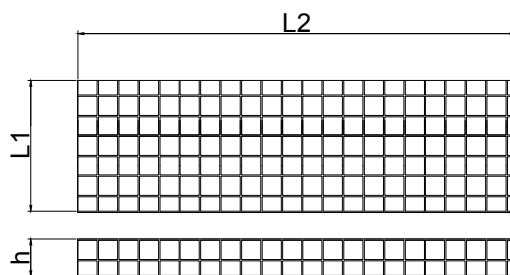
FILTR DO NAWIETRZAKA PODOKIENNEGO



Wielkość

GNP1

GNP2



wkład filtracyjny (EU 3)  
umieszczony w  
obudowie z siatki





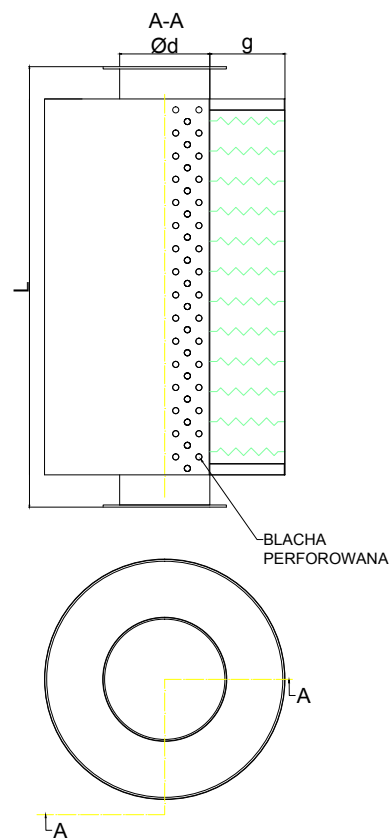
TŁUMIKI



# GTO

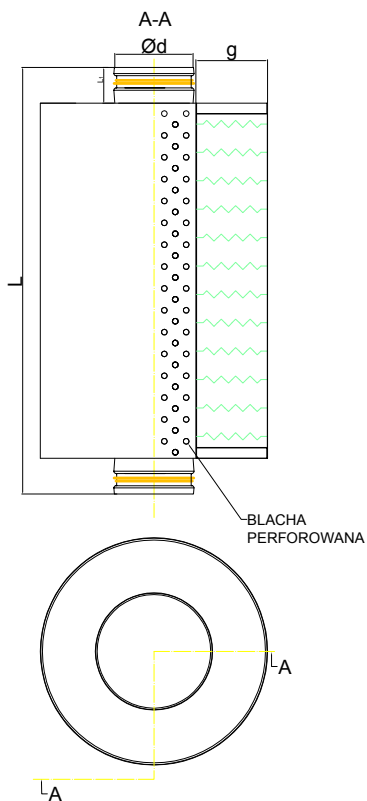
TŁUMIK OKRĄGŁY

Symbol	d [mm]	L [mm]	Izolacja
GTO 100/300	100	300	50
GTO 125/300	125	300	
GTO 160/300	160	300	
GTO 200/300	200	300	
GTO 250/300	250	300	
GTO 315/300	315	300	
GTO 355/300	355	300	100
GTO 400/300	400	300	
GTO 450/300	450	300	
GTO 500/300	500	300	
GTO 560/300	560	300	
GTO 630/300	630	300	
GTO 710/300	710	300	50
GTO 800/300	800	300	
GTO 900/300	900	300	
GTO 100/600	100	600	
GTO 125/600	125	600	
GTO 160/600	160	600	
GTO 200/600	200	600	100
GTO 250/600	250	600	
GTO 315/600	315	600	
GTO 355/600	355	600	
GTO 400/600	400	600	
GTO 450/600	450	600	
GTO 500/600	500	600	50
GTO 560/600	560	600	
GTO 630/600	630	600	
GTO 710/600	710	600	
GTO 800/600	800	600	
GTO 900/600	900	600	
GTO 100/1000	100	1000	100
GTO 125/1000	125	1000	
GTO 160/1000	160	1000	
GTO 200/1000	200	1000	
GTO 250/1000	250	1000	
GTO 315/1000	315	1000	
GTO 355/1000	355	1000	50
GTO 400/1000	400	1000	
GTO 450/1000	450	1000	
GTO 500/1000	500	1000	
GTO 560/1000	560	1000	
GTO 630/1000	630	1000	
GTO 710/1000	710	1000	100
GTO 800/1000	800	1000	
GTO 900/1000	900	1000	
GTO 100/1500	100	1500	
GTO 125/1500	125	1500	
GTO 160/1500	160	1500	
GTO 200/1500	200	1500	50
GTO 250/1500	250	1500	
GTO 315/1500	315	1500	
GTO 355/1500	355	1500	
GTO 400/1500	400	1500	
GTO 450/1500	450	1500	
GTO 500/1500	500	1500	100
GTO 560/1500	560	1500	
GTO 630/1500	630	1500	
GTO 710/1500	710	1500	
GTO 800/1500	800	1500	
GTO 900/1500	900	1500	



# GTOU

TŁUMIK OKRĄGŁY Z USZCZELKĄ



Symbol	d [mm]	L [mm]	Izolacja	
GTOU 100/300	100	300	50	
GTOU 125/300	125	300		
GTOU 160/300	160	300		
GTOU 200/300	200	300		
GTOU 250/300	250	300		
GTOU 315/300	315	300	100	
GTOU 355/300	355	300		
GTOU 400/300	400	300		
GTOU 450/300	450	300		
GTOU 500/300	500	300		
GTOU 560/300	560	300		
GTOU 630/300	630	300		
GTOU 710/300	710	300	50	
GTOU 800/300	800	300		
GTOU 900/300	900	300		
GTOU 100/600	100	600		50
GTOU 125/600	125	600		
GTOU 160/600	160	600		
GTOU 200/600	200	600		
GTOU 250/600	250	600		
GTOU 315/600	315	600		100
GTOU 355/600	355	600		
GTOU 400/600	400	600		
GTOU 450/600	450	600		
GTOU 500/600	500	600		
GTOU 560/600	560	600		
GTOU 630/600	630	600		
GTOU 710/600	710	600	50	
GTOU 800/600	800	600		
GTOU 900/600	900	600		
GTOU 100/1000	100	1000		50
GTOU 125/1000	125	1000		
GTOU 160/1000	160	1000		
GTOU 200/1000	200	1000		
GTOU 250/1000	250	1000		
GTOU 315/1000	315	1000		100
GTOU 355/1000	355	1000		
GTOU 400/1000	400	1000		
GTOU 450/1000	450	1000		
GTOU 500/1000	500	1000		
GTOU 560/1000	560	1000		
GTOU 630/1000	630	1000		
GTOU 710/1000	710	1000	50	
GTOU 800/1000	800	1000		
GTOU 900/1000	900	1000		
GTOU 100/1500	100	1500		50
GTOU 125/1500	125	1500		
GTOU 160/1500	160	1500		
GTOU 200/1500	200	1500		
GTOU 250/1500	250	1500		
GTOU 315/1500	315	1500		100
GTOU 355/1500	355	1500		
GTOU 400/1500	400	1500		
GTOU 450/1500	450	1500		
GTOU 500/1500	500	1500		
GTOU 560/1500	560	1500		
GTOU 630/1500	630	1500		
GTOU 710/1500	710	1500	100	
GTOU 800/1500	800	1500		
GTOU 900/1500	900	1500		



GREKA ul. Bydgoskich Przemysłowców 15, 85-862 Bydgoszcz,  
tel. +48 52 333 80 00, e-mail: [biuro@greka.com.pl](mailto:biuro@greka.com.pl), [www.greka.com.pl](http://www.greka.com.pl)

---

Wszystkie treści zawarte w katalogu są wartościami intelektualnymi firmy GREKA, której znak objęty jest ochroną patentową UPRP. Kopiowanie całości lub części zdjęć, elementów graficznych jest zabronione. Niniejszy katalog jest wyłącznie informacją handlową i nie stanowi oferty w myśl art. 66, §1 Kodeksu Cywilnego. GREKA nie odpowiada za ewentualne błędy lub nieaktualność zawartej oferty. Zastrzegamy sobie też prawo do zmian detali technicznych lub wizualnych przedstawionych produktów.

---